

HOOD SUPPORT REPLACEMENT

1. REMOVE HOOD SUPPORT

(a) Remove the bolt and hood support from the hood.

HINT:

While supporting the hood by hand, remove the hood support from the hood.

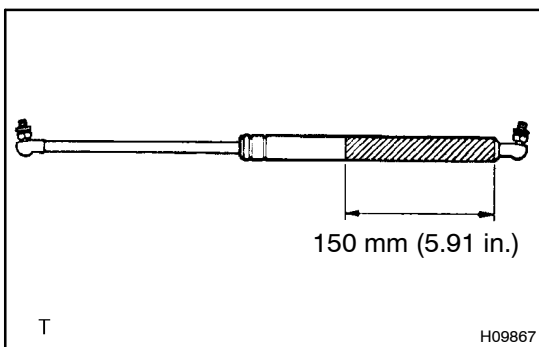
(b) Remove the bolt and hood support.

2. IF NECESSARY, REPLACE HOOD SUPPORT

NOTICE:

Handling the hood support.

- Do not disassemble the support as the cylinder is filled with pressurized gas.



- If the hood support is to be replaced, drill a 2.0 – 3.0 mm (0.079 – 0.118 in.) hole in the area shown in the illustration to completely release the high pressure gas before disposing of it.
- When drilling, chips may fly out so work carefully.
- The gas is colorless, odorless and non-toxic.
- When working, handle the hood support carefully. Never score or scratch the exposed part of the piston rod, and allow any paint or oil to get on it.
- Do not turn the piston rod and cylinder with the hood support fully extended.

3. INSTALL HOOD SUPPORT

(a) Install the bolt and hood support to the body.

Torque: 22 N·m (225 kgf·cm, 16 ft·lbf)

(b) Install the bolt and hood support to the hood.

Torque: 22 N·m (225 kgf·cm, 16 ft·lbf)