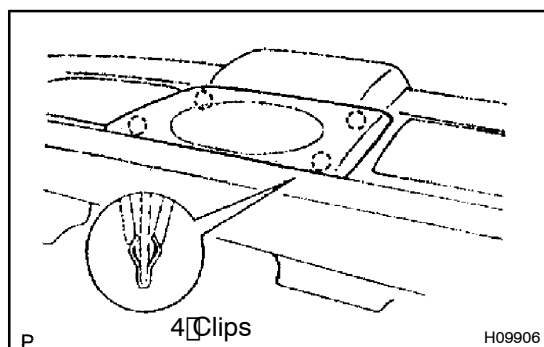


## REMOVAL

### NOTICE:

Remove the rear seat outer belt after setting the ignition switch to OFF, disconnecting the battery (-) terminal and waiting for 90 sec or more.

1. REMOVE REAR SEAT CUSHION AND SEATBACK  
(See page BO-139)
2. REMOVE ASSIST GRIP

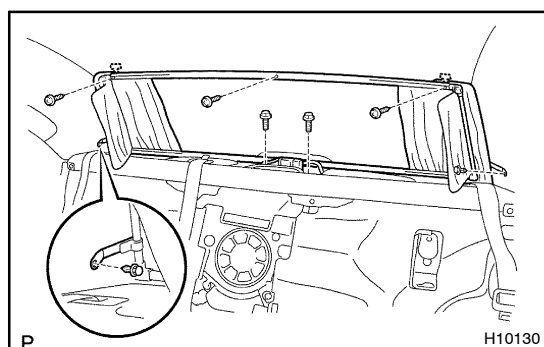


3. REMOVE SPEAKER GRILLE

Using a screwdriver, remove the speaker grille.

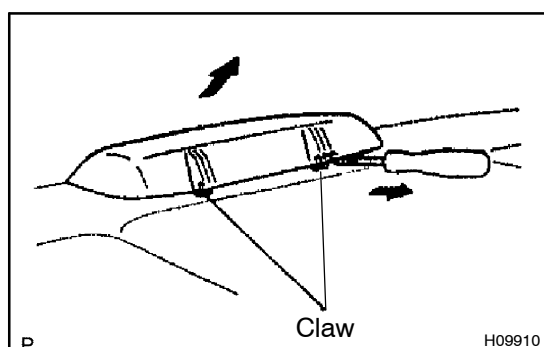
### HINT:

Tape the screwdriver tip before use.



4. w/ Back window curtain:  
REMOVE POWER CURTAIN ASSEMBLY

- (a) Disconnect the connector.
- (b) Remove the 2 bolts, 3 screws, 2 clips and power curtain assembly.



5. REMOVE CENTER STOP LIGHT ASSEMBLY

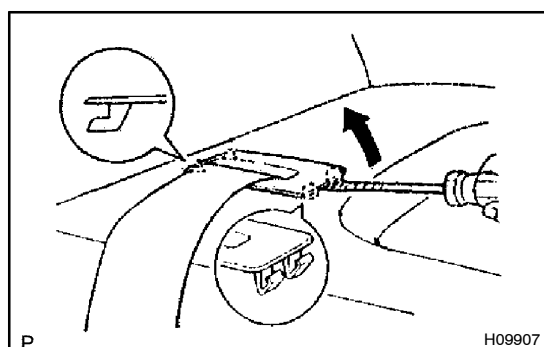
- (a) Using a screwdriver, remove the center stop light assembly as shown in the illustration.

### HINT:

Tape the screwdriver tip before use.

- (b) Disconnect the connector.

6. REMOVE REAR SEAT OUTER AND CENTER BELT FLOOR ANCHORS



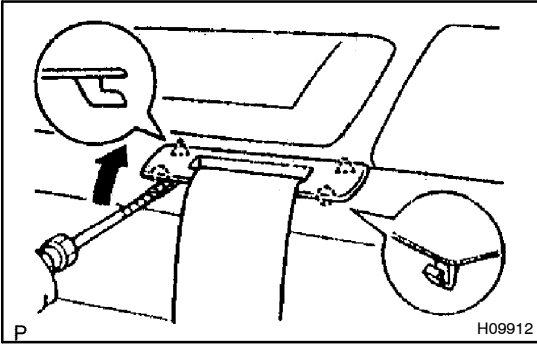
7. REMOVE REAR SEAT OUTER BELT BEZEL

- (a) Using a screwdriver, remove the bezel as shown in the illustration.

### HINT:

Tape the screwdriver tip before use.

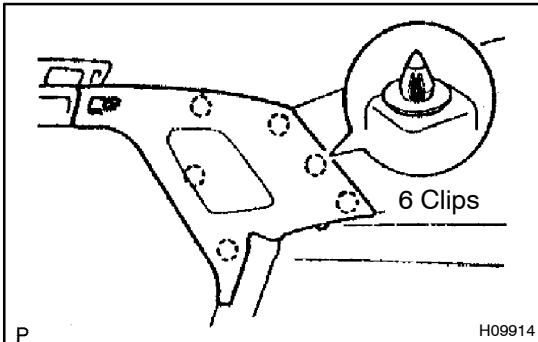
- (b) Employ the same manner described above to the other side.

**8. REMOVE REAR SEAT CENTER BELT BEZEL**

Using a screwdriver, remove the bezel.

HINT:

Tape the screwdriver tip before use.

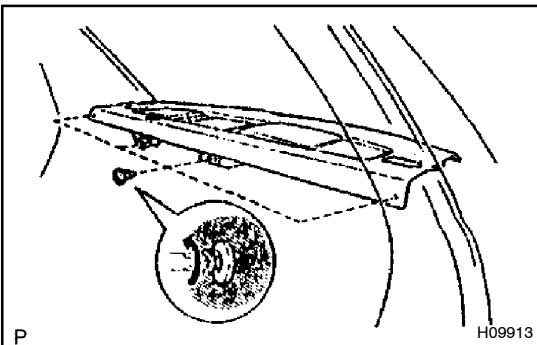
**9. REMOVE ROOF SIDE INNER GARNISH**

(a) Using a screwdriver, remove the roof side inner garnish.

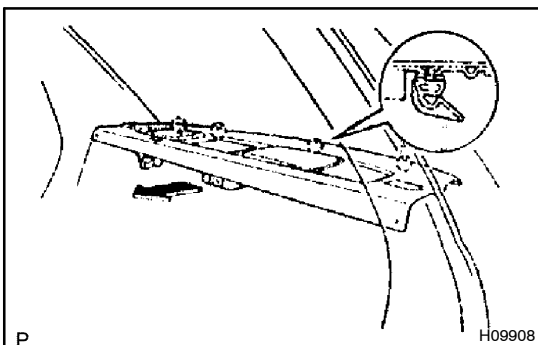
HINT:

Tape the screwdriver tip before use.

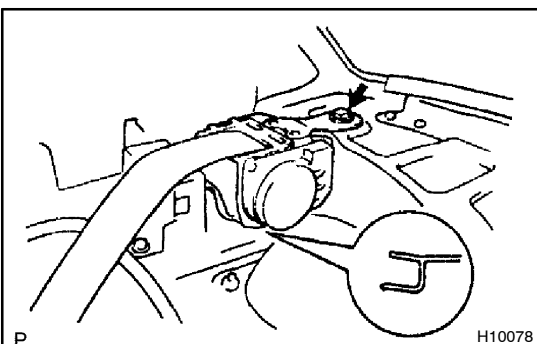
(b) Employ the same manner described above to the other side.

**10. REMOVE PACKAGE TRAY TRIM BOARD**

(a) Remove the 4 clips.



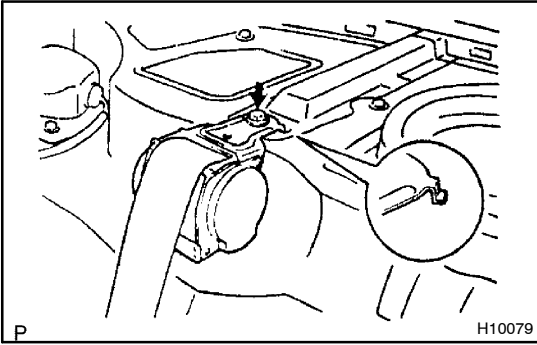
(b) Remove the package tray trim board as shown in the illustration.

**11. REMOVE REAR SEAT OUTER BELT**

(a) Remove the bolt and rear seat outer belt.

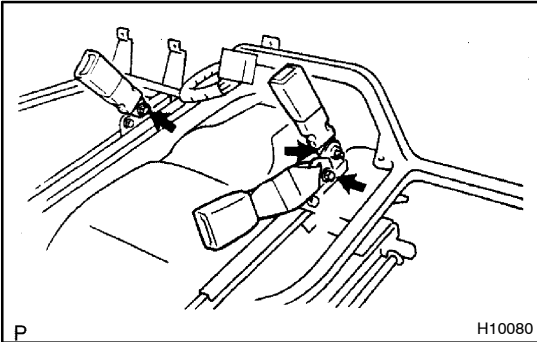
**Torque: 41 N·m (420 kgf·cm, 30 ft·lbf)**

(b) Employ the same manner described above to the other side.

**12. REMOVE REAR SEAT OUTER CENTER BELT**

Remove the bolt and rear seat outer center belt.

**Torque: 41 N·m (420 kgf·cm, 30 ft·lbf)**

**13. REMOVE REAR SEAT INNER BELTS**

(a) Remove the 3 bolts.

**Torque: 41 N·m (420 kgf·cm, 30 ft·lbf)**

(b) Remove the rear seat inner belt and rear seat inner center belts.