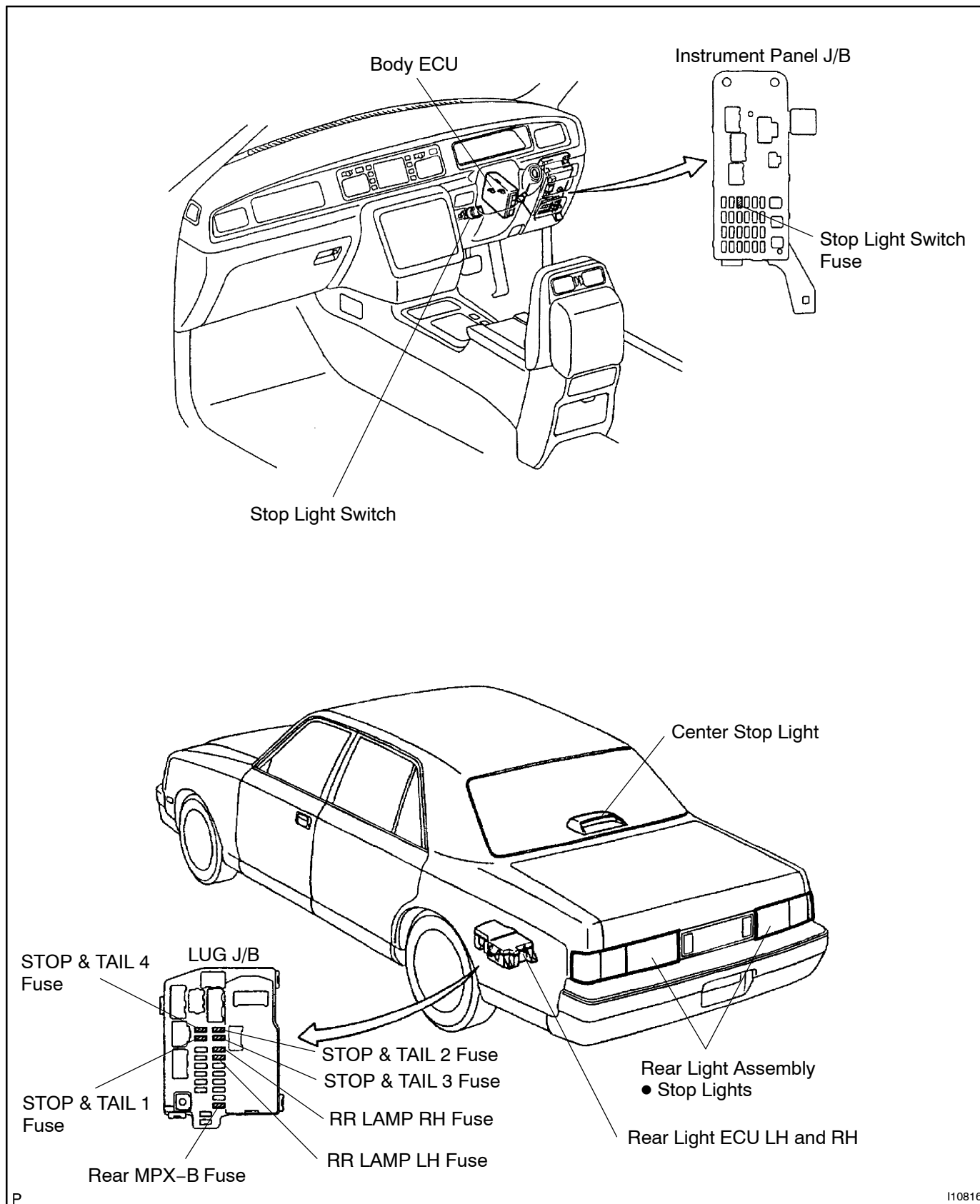


STOP LIGHT SYSTEM LOCATION

BE0H6-06



110816