

<b>DTC</b>	<b>B1100/31</b>	<b>Airbag Sensor Assembly Malfunction</b>
------------	-----------------	---

## CIRCUIT DESCRIPTION

The airbag sensor assembly consists of an airbag sensor, safing sensor, drive circuit, diagnosis circuit and ignition control, etc.

It receives signals from the airbag sensor, judges whether or not the SRS must be activated, and detects diagnosis system malfunction.

DTC B1100/31 is recorded when occurrence of a malfunction in the airbag sensor assembly is detected.

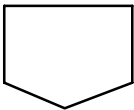
DTC No.	DTC Detecting Condition	Trouble Area
B1100/31	• Airbag sensor assembly malfunction	• Airbag sensor assembly

## INSPECTION PROCEDURE

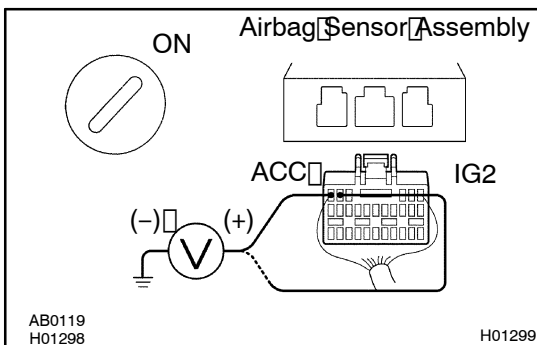
HINT:

When a malfunction code other than code B1100/31 is displayed at the same time, first repair the malfunction indicated by the malfunction code other than code B1100/31.

<b>1</b>	<b>Prepare for inspection. (See step 1 on page DI-368)</b>
----------	--



<b>2</b>	<b>Check voltage at IG2 and ACC of airbag sensor assembly.</b>
----------	--



### CHECK:

- (a) Turn ignition switch to ON.
- (b) Measure the voltage between body ground and each of terminals IG2 and ACC of the airbag sensor assembly connector.

### OK:

**Voltage: 10 - 14 V**

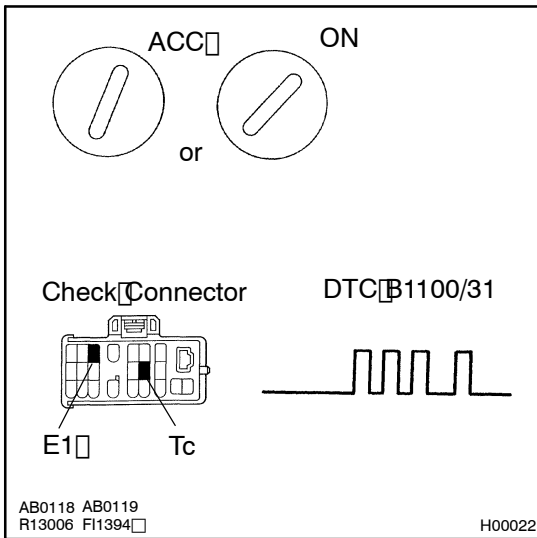
**NG**

**Check that an abnormality occurs on the battery and charging system.**



**OK**

### 3 Is DTC B1100/31 output again?



#### PREPARATION:

Clear DTC. (See step 5 on page DI-229)

#### CHECK:

- Turn ignition switch to LOCK, and wait at least for 20 seconds.
- Turn ignition switch to ACC or ON, and wait at least for 20 seconds.
- Repeat operation in step (a) and (b) at least 5 times.
- Check DTC. (See page DI-229)

#### HINT:

Codes other than code B1100/31 may be output at this time, but they are not relevant to this check.

NO

Using simulation method, reproduce malfunction symptoms. (See page N-20)

YES

Replace airbag sensor assembly.