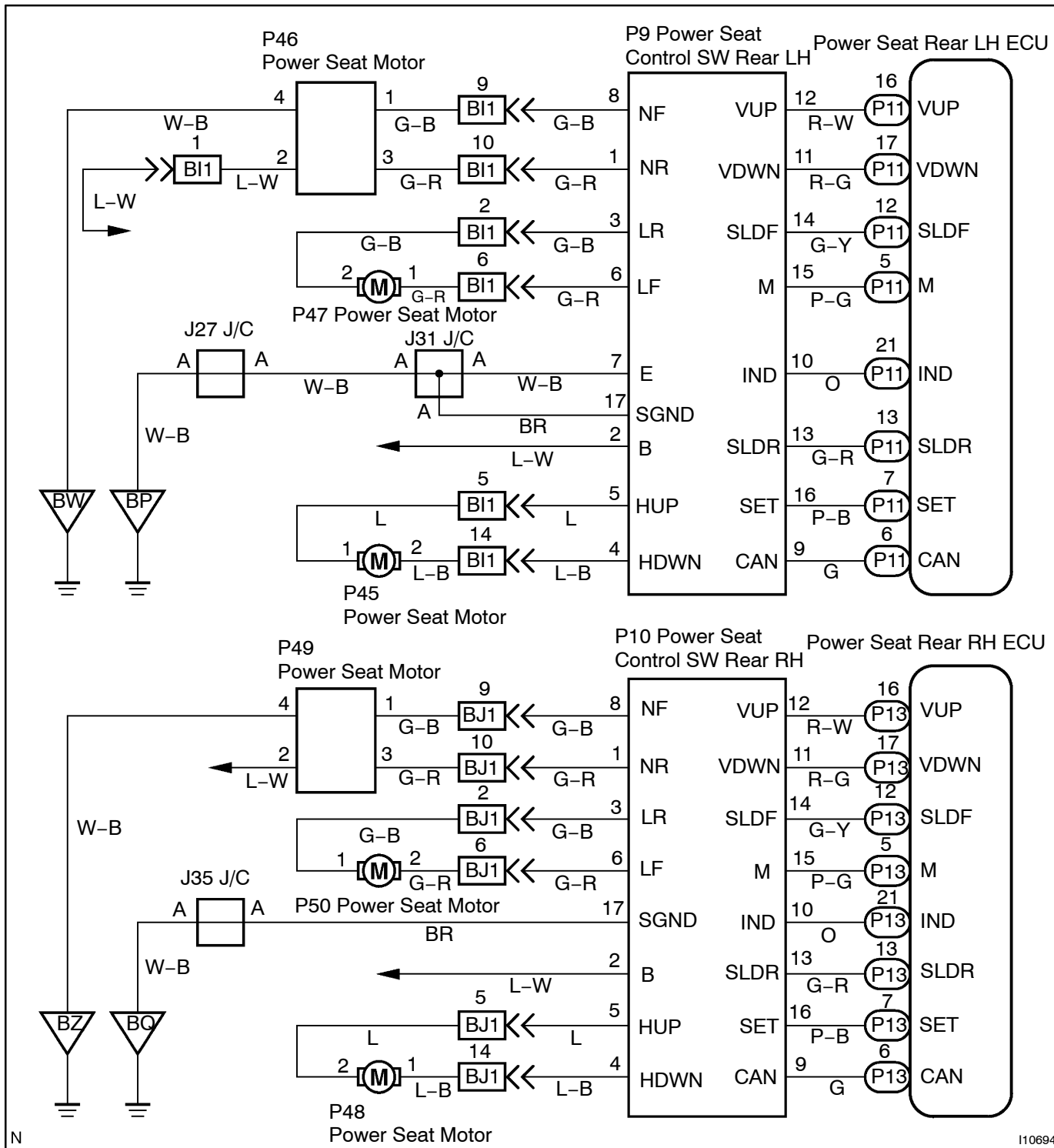


Headrest, Neck Rest and Lumbar Support Motor Circuit

WIRING DIAGRAM



INSPECTION PROCEDURE

1 Check rear power seat head rest motor (See page BE-129).

NG

Replace rear power seat head rest motor.

OK

2 Check harness and connectors between rear power seat switch and rear power seat head rest motor (See page IN-30).

NG

Replace and replace harness or connector.

OK

3 Check rear power seat neck rest motor (See page BE-129)

NG

Replace rear power seat neck rest motor.

OK

4 Check harness and connectors between rear power seat switch and rear power seat neck rest motor, motor and body ground (See page IN-30).

NG

Repair and replace harness or connector.

OK

5 Check rear power seat lumbar support motor (See page BE-129).

NG

Repair and replace power seat lumbar support motor.

OK

6 Check harness and connectors between rear power seat switch and rear power seat lumbar support motor (See page IN-30).

NG

Repair and replace harness or connector.

OK

Check and replace rear power seat ECU (See page IN-30).