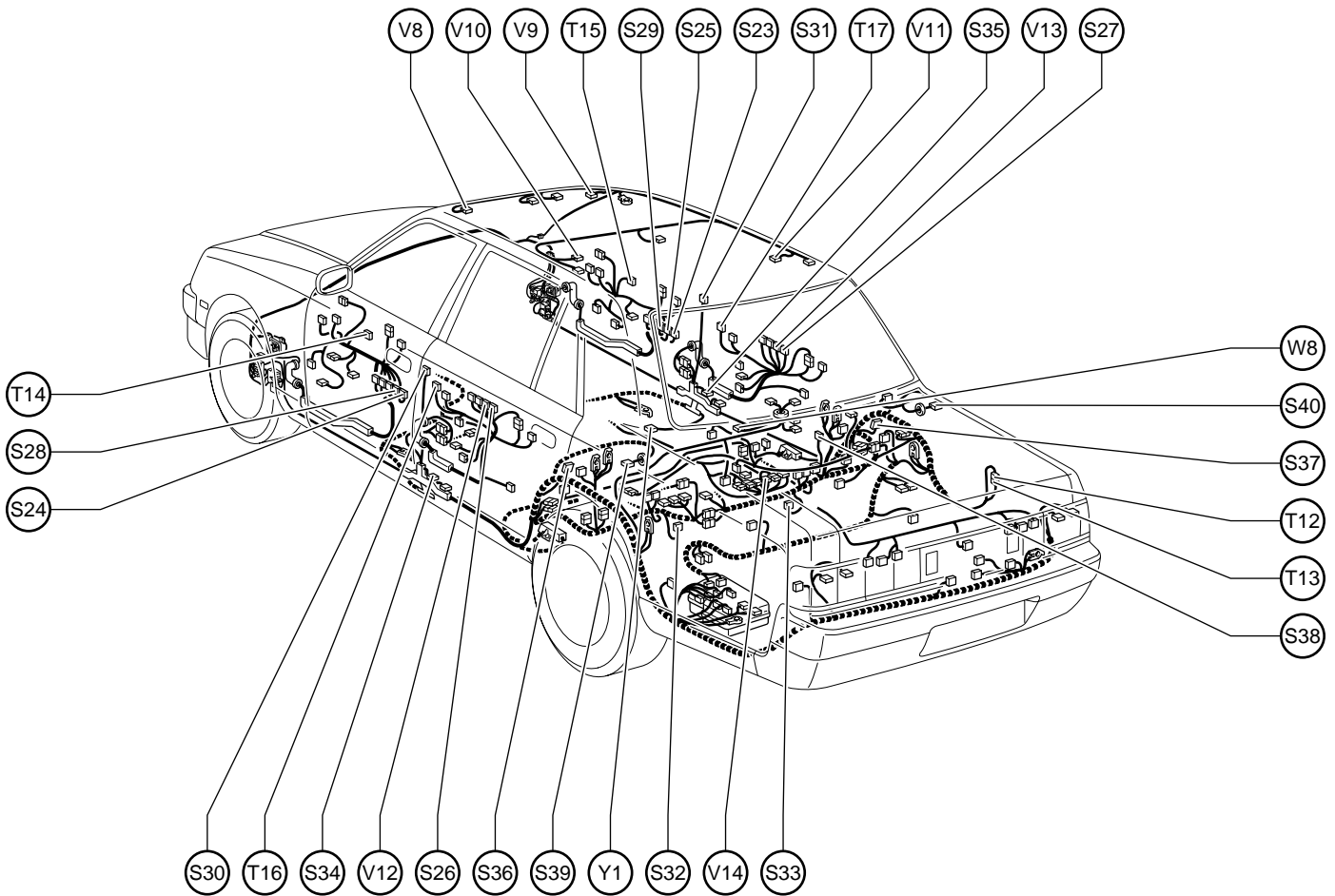


ELECTRICAL WIRING ROUTING

Position of Parts in Body

[RHD]



- S23 Seat Heater SW (Driver's Door Rear Seat Control)
- S24 Seat Heater SW Front LH
- S25 Seat Heater SW Front RH
- S26 Seat Heater SW Rear LH
- S27 Seat Heater SW Rear RH
- S28 Shoulder Belt Adjust SW LH
- S29 Shoulder Belt Adjust SW RH
- S30 Shoulder Belt Anchor Motor LH
- S31 Shoulder Belt Anchor Motor RH
- S32 Shoulder Belt Anchor Relay LH
- S33 Shoulder Belt Anchor Relay RH
- S34 Side Airbag Sensor LH
- S35 Side Airbag Sensor RH
- S36 Side Airbag Squib Rear LH
- S37 Side Airbag Squib Rear RH
- S38 Smoke Sensor
- S39 Suspension Control Actuator Rear LH
- S40 Suspension Control Actuator Rear RH

- T12 Telephone Transceiver and Speaker Relay (Front)
- T13 Telephone Transceiver and Speaker Relay (Front)
- T14 Tweeter Front LH
- T15 Tweeter Front RH
- T16 Tweeter Rear LH
- T17 Tweeter Rear RH
- V 8 Vanity Light Front LH
- V 9 Vanity Light Front RH
- V10 Vanity Light Rear LH
- V11 Vanity Light Rear RH
- V12 Vibration SW LH
- V13 Vibration SW RH
- V14 Voltage Converter Assembly
- W 8 Woofer (Speaker)
- Y 1 Yaw Rate Sensor