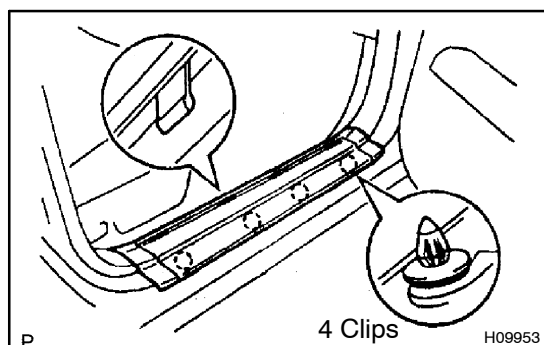


REMOVAL

NOTICE:

Remove the seat belt with pretensioner after setting the ignition switch to OFF, disconnecting the battery (-) terminal and waiting for 90 sec or more.

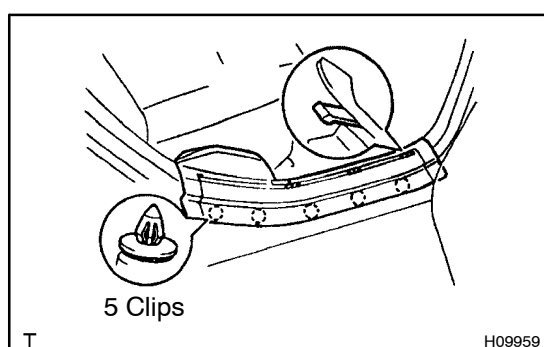


1. REMOVE FRONT DOOR SCUFF PLATE

Using a screwdriver, remove the front door scuff plate.

HINT:

Tape the screwdriver tip before use.



2. REMOVE REAR DOOR SCUFF PLATE

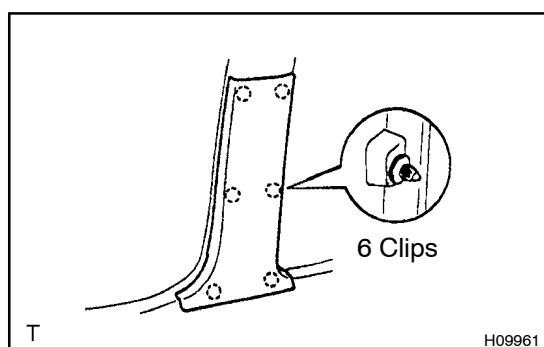
Using a screwdriver, remove the rear door scuff plate.

HINT:

Tape the screwdriver tip before use.

3. REMOVE FRONT DOOR OPENING TRIM WEATHERSTRIP

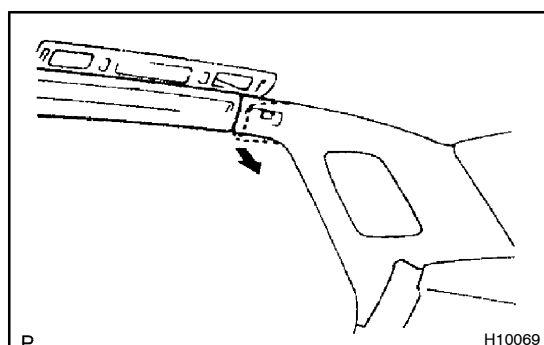
4. REMOVE REAR DOOR OPENING TRIM WEATHERSTRIP



5. REMOVE CENTER PILLAR LOWER GARNISH PANEL

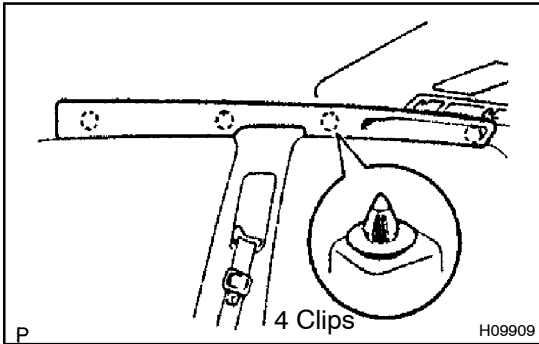
Remove the center pillar lower garnish panel.

6. REMOVE ASSIST GRIP



7. REMOVE ROOF SIDE INNER GARNISH

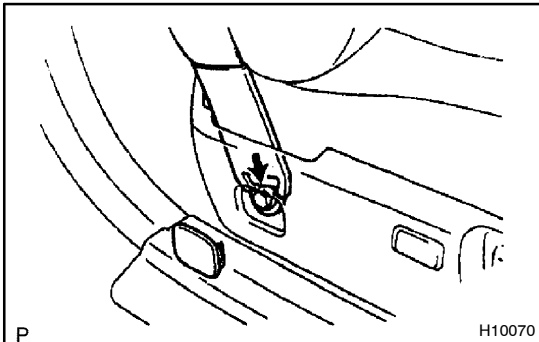
Remove the clip on the roof side inner garnish shown in the illustration.

**8. REMOVE ROOF SIDE RAIL GARNISH**

Using a screwdriver, remove the roof side rail garnish.

HINT:

Tape the screwdriver tip before use.

**9. REMOVE FRONT SEAT OUTER BELT ANCHOR**

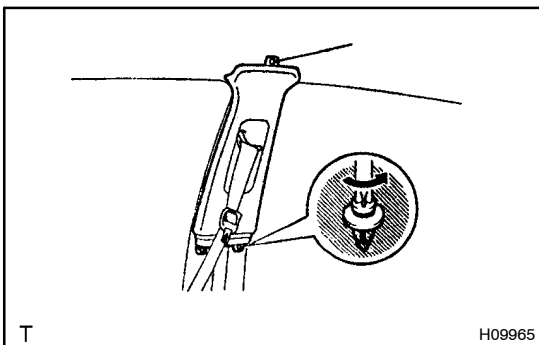
(a) Using a screwdriver, remove the seat belt anchor cover cap.

HINT:

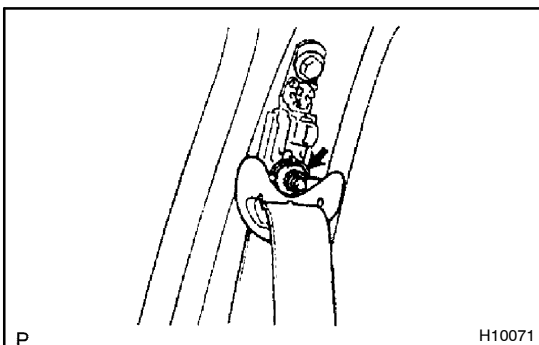
Tape the screwdriver tip before use.

(b) Remove the front seat outer belt anchor.

Torque: 41 N·m (420 kgf·cm, 30 ft·lbf)

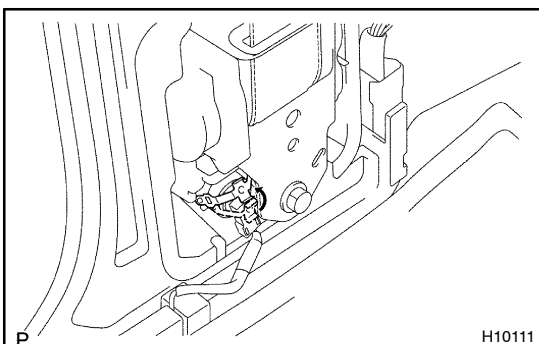
**10. REMOVE CENTER PILLAR UPPER GARNISH PANEL**

Remove the 3 clips and center pillar upper garnish panel.

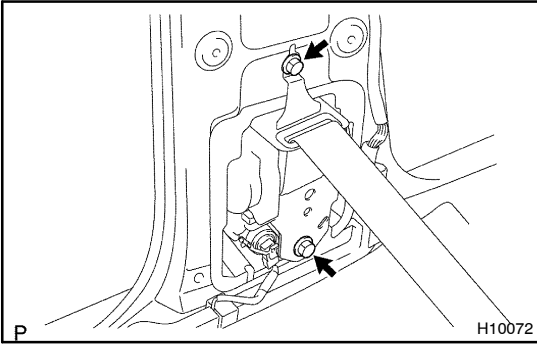
**11. REMOVE FRONT SEAT OUTER BELT SHOULDER ANCHOR**

Remove the bolt and shoulder anchor.

Torque: 41 N·m (420 kgf·cm, 30 ft·lbf)

**12. REMOVE FRONT SEAT OUTER BELT RETRACTOR**

(a) Disconnect the pretensioner connector as shown in the illustration.

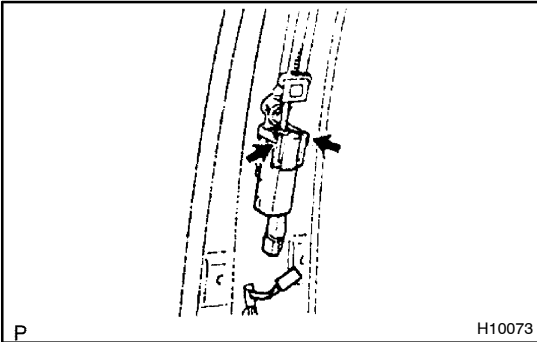


- (b) Remove the 2 bolts and retractor.

Torque:

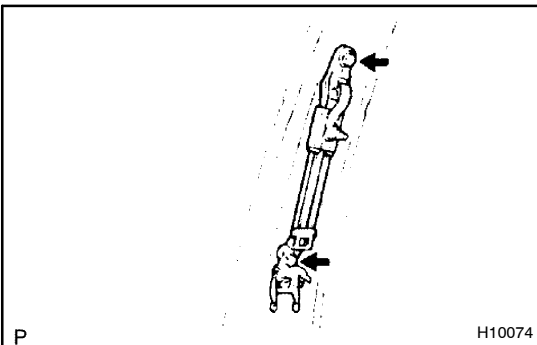
Upper bolt: 7.4 N·m (75 kgf·cm, 65 in·lbf)

Lower bolt: 41 N·m (420 kgf·cm, 30 ft·lbf)



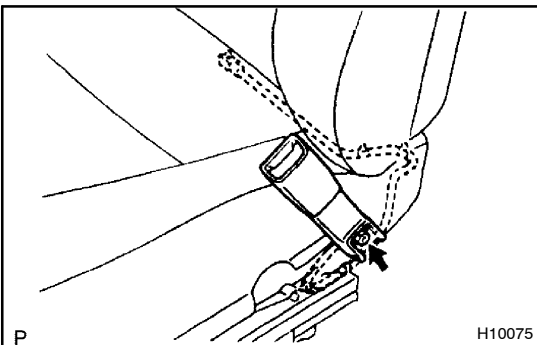
13. REMOVE FRONT SHOULDER BELT ANCHOR ADJUSTER

- (a) Disconnect the connector, then remove the 2 pins and height adjustable anchor motor.



- (b) Remove the 2 bolts and front shoulder belt anchor adjuster.

Torque: 41 N·m (420 kgf·cm, 30 ft·lbf)



14. REMOVE FRONT SEAT INNER BELT

- (a) Remove the front seat. (See page BO-120)

- (b) Remove the nut.

Torque: 41 N·m (420 kgf·cm, 30 ft·lbf)

- (c) Partially remove the seat cushion cover, and remove the clamps and then front seat inner belt.