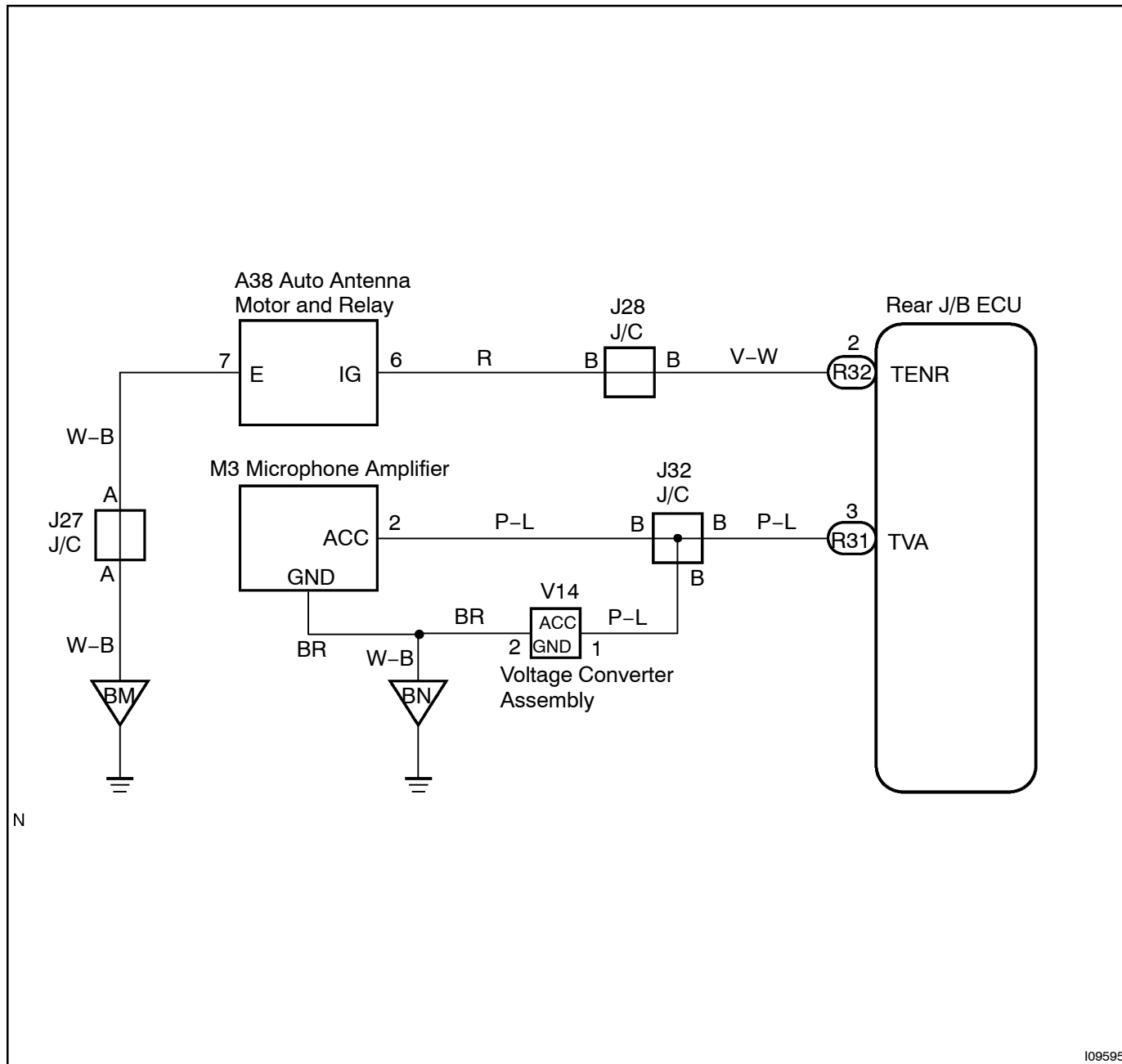


# Microphone amplifier

## WIRING DIAGRAM



109595

**INSPECTION PROCEDURE**

1 Check microphone amplifier (See page BE-193).

NG

Replace the microphone amplifier.

OK

2 Check wireharness and connector between microphone amplifier and rear J/B ECU (See page IN-30).

NG

Repair or replace wireharness or connector.

OK

Proceed to next circuit inspection shown on problem symptoms table (See page DI-665).