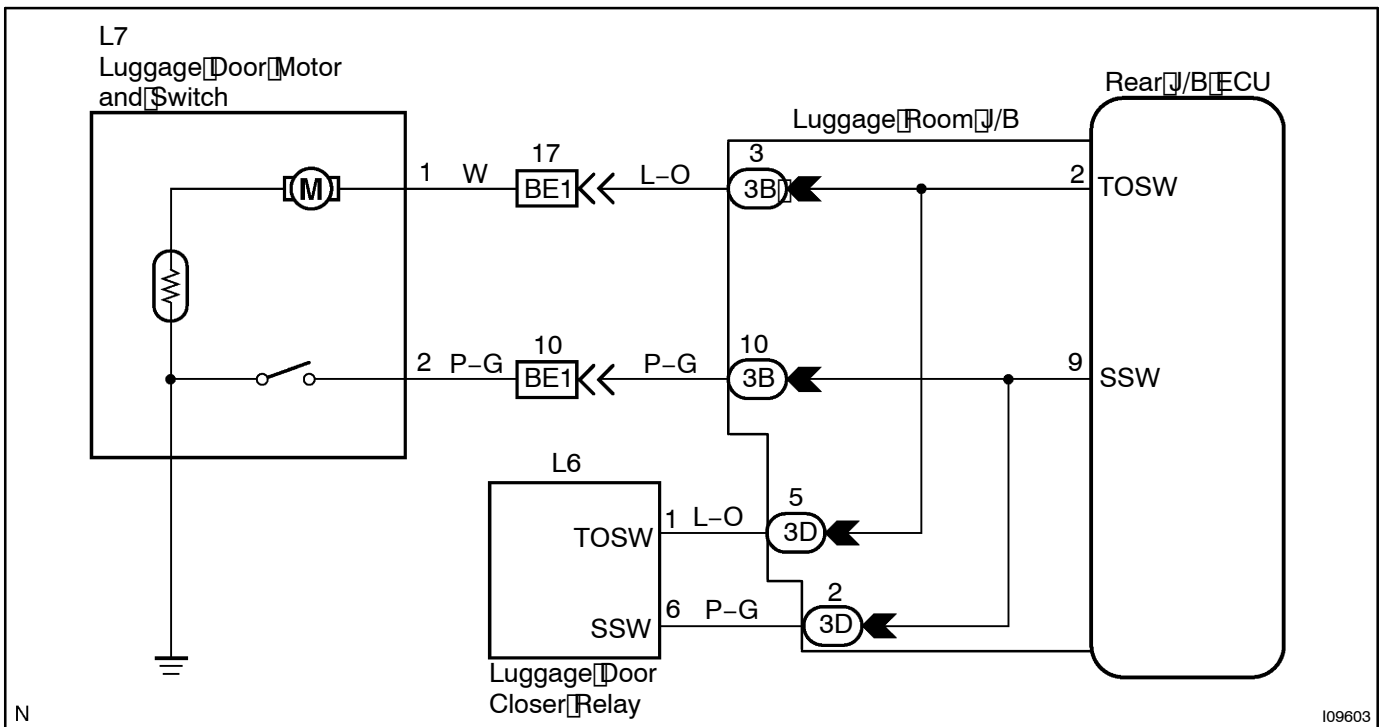


Luggage compartment door courtesy switch circuit

CIRCUIT DESCRIPTION

The luggage courtesy switch goes on when luggage compartment door is opened and goes off when luggage compartment door is closed.

WIRING DIAGRAM



INSPECTION PROCEDURE

- 1 Check luggage courtesy switch (See page BE-149).

NG

Replace the luggage courtesy switch.

OK

2 Check wireharness and connector between luggage courtesy switch and rear J/B ECU (See page IN-30).

NG

Repair or replace wireharness or connector.

OK

Proceed to next circuit inspection shown on problem symptoms table (See page DI-665).