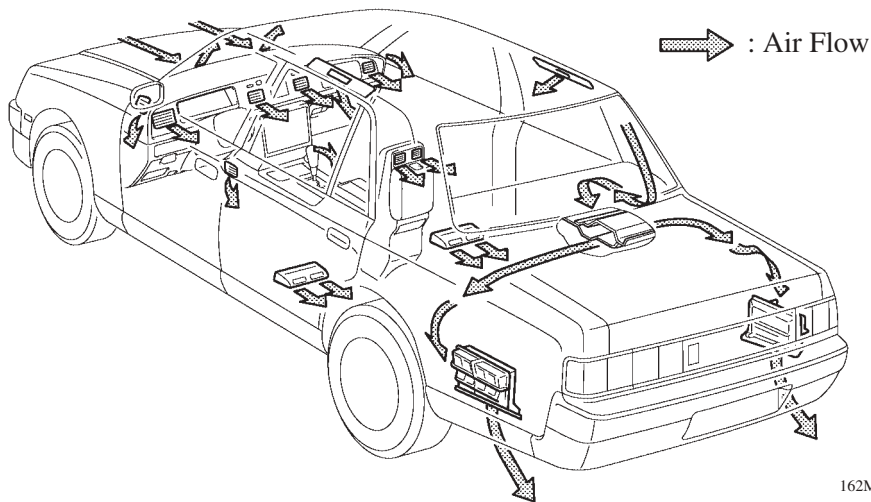


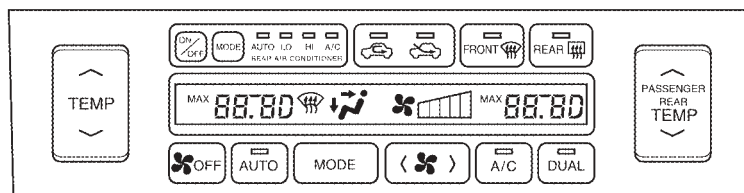
# AIR CONDITIONER

A dual auto air conditioner system with air purifier is provided on all models as standard equipment.

- ❶ An air conditioner system that controls the temperature for the driver's area independently from the area for the front passenger and rear passengers has been adopted to accommodate user preferences.
- ❷ A vent register is provided behind the rear console to enhance the temperature control performance for the rear seats.
- ❸ A vent register for the air conditioner is provided in the rear roof side panels to enhance the comfort of the rear seat occupants.

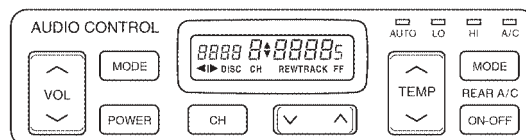


162MO17



Front Air Control Panel

162MO18



Rear Air Control Panel

162MO20