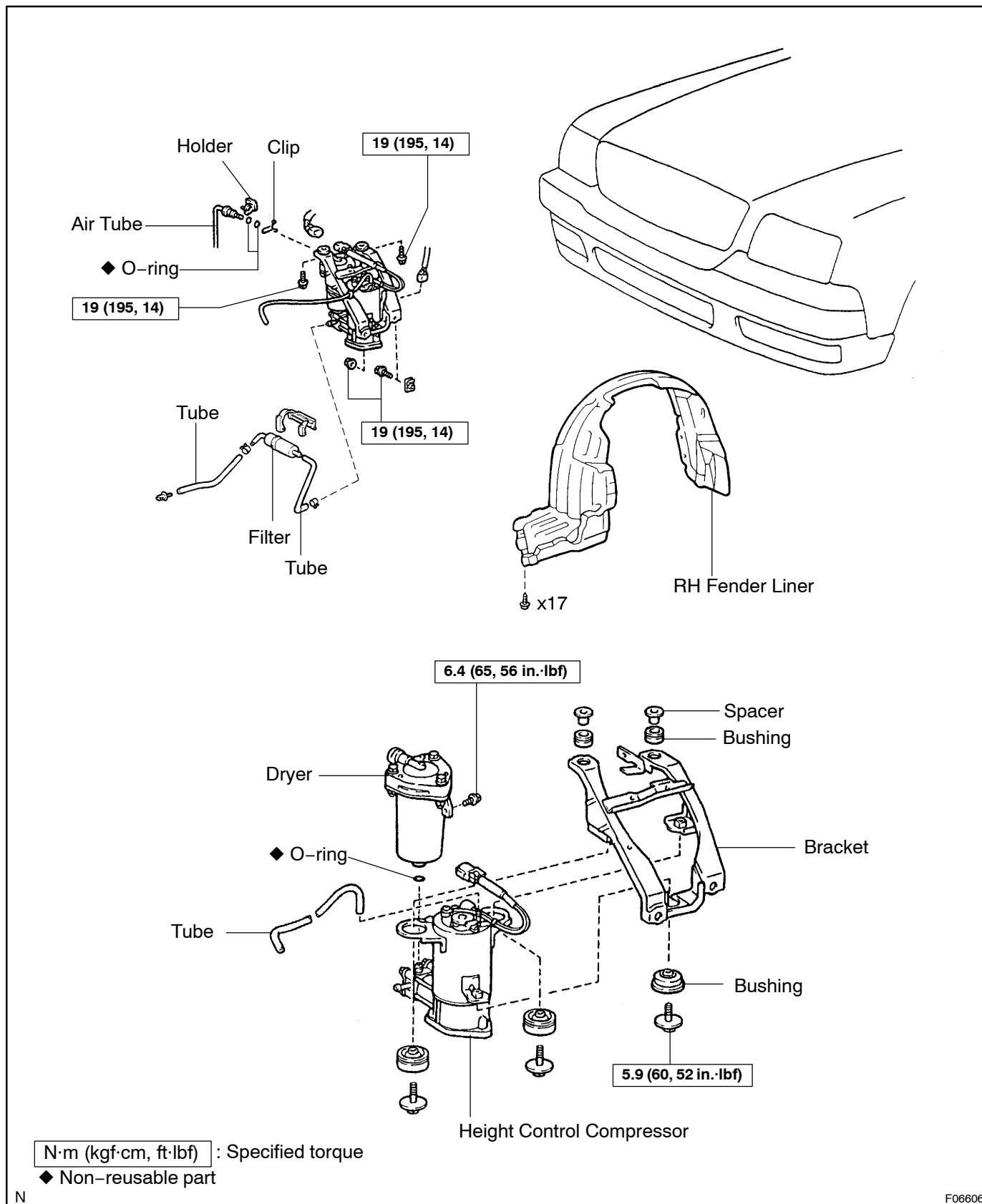


HEIGHT CONTROL COMPRESSOR AND DRYER COMPONENTS

SA0L1-02



N

F06606