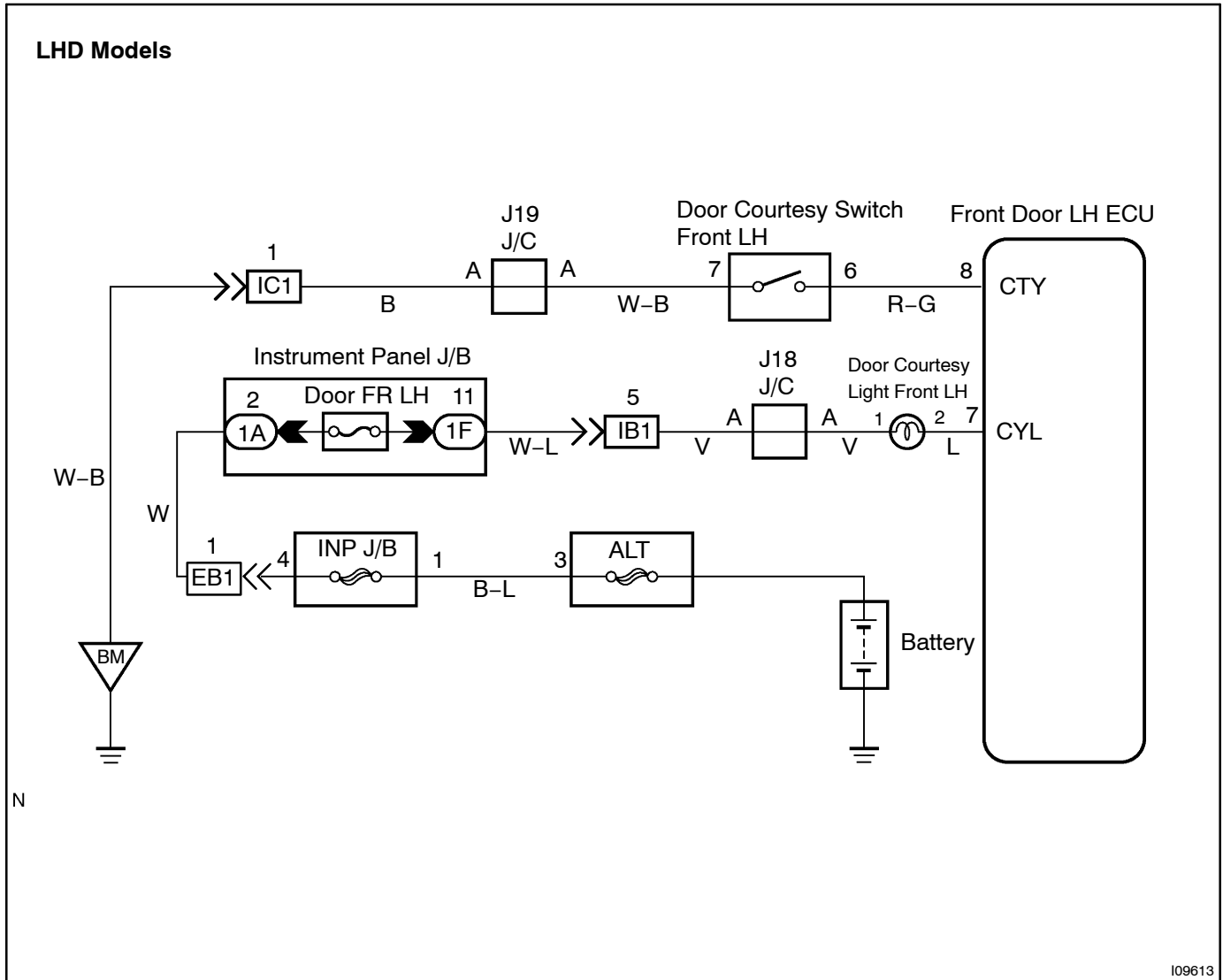


# Door courtesy light and courtesy switch circuit

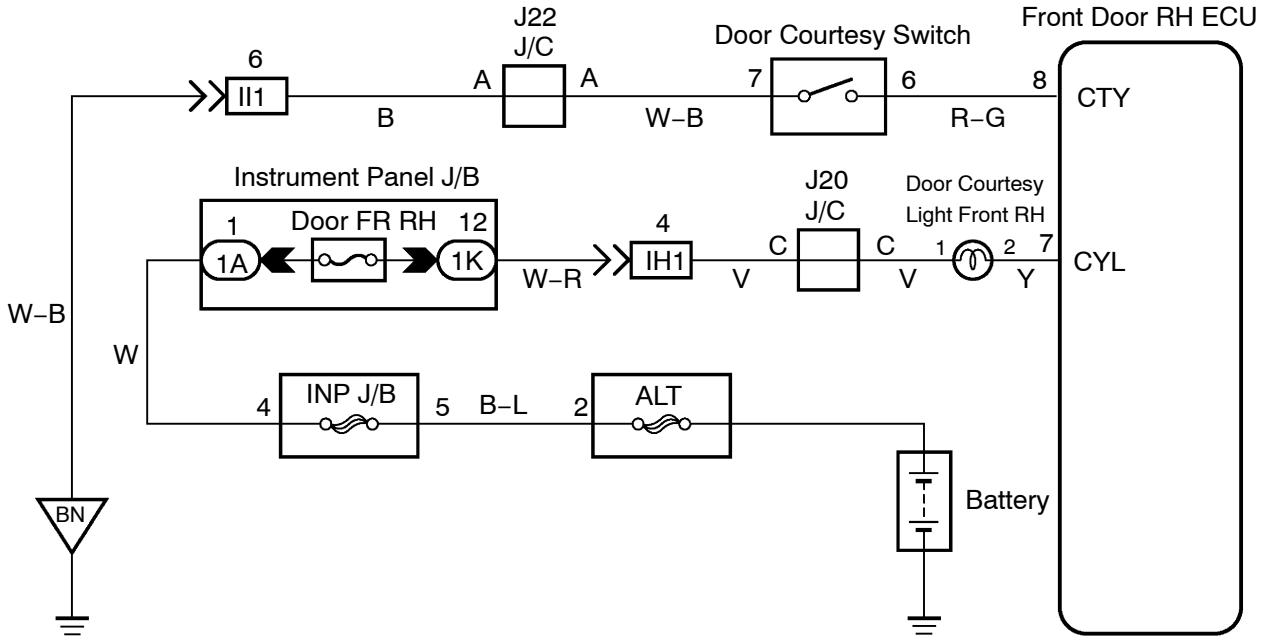
## CIRCUIT DESCRIPTION

The door courtesy switch goes on when the door is opened and goes off when door is closed.

## WIRING DIAGRAM



RHD Models



N

**INSPECTION PROCEDURE**

1 Check operation of door courtesy light.

**CHECK:**

Check that door courtesy light comes on when door opened, and goes off when door is closed.

**OK:**

Must be operated normally.

OK

Proceed to next circuit inspection shown on problem symptom table (See page DI-554).

NG

2 Check courtesy light. (See page BE-41)

NG

Replace the courtesy light.

OK

3 Check courtesy switch. (See page BE-41)

NG

Replace the courtesy switch.

OK

4 Check wireharness and connector between courtesy light and driver door ECU, courtesy switch and driver door ECU (See page IN-30).

NG

Repair or replace wireharness or connector.

OK

Proceed to next circuit inspection shown on problem symptoms table (See page DI-554).