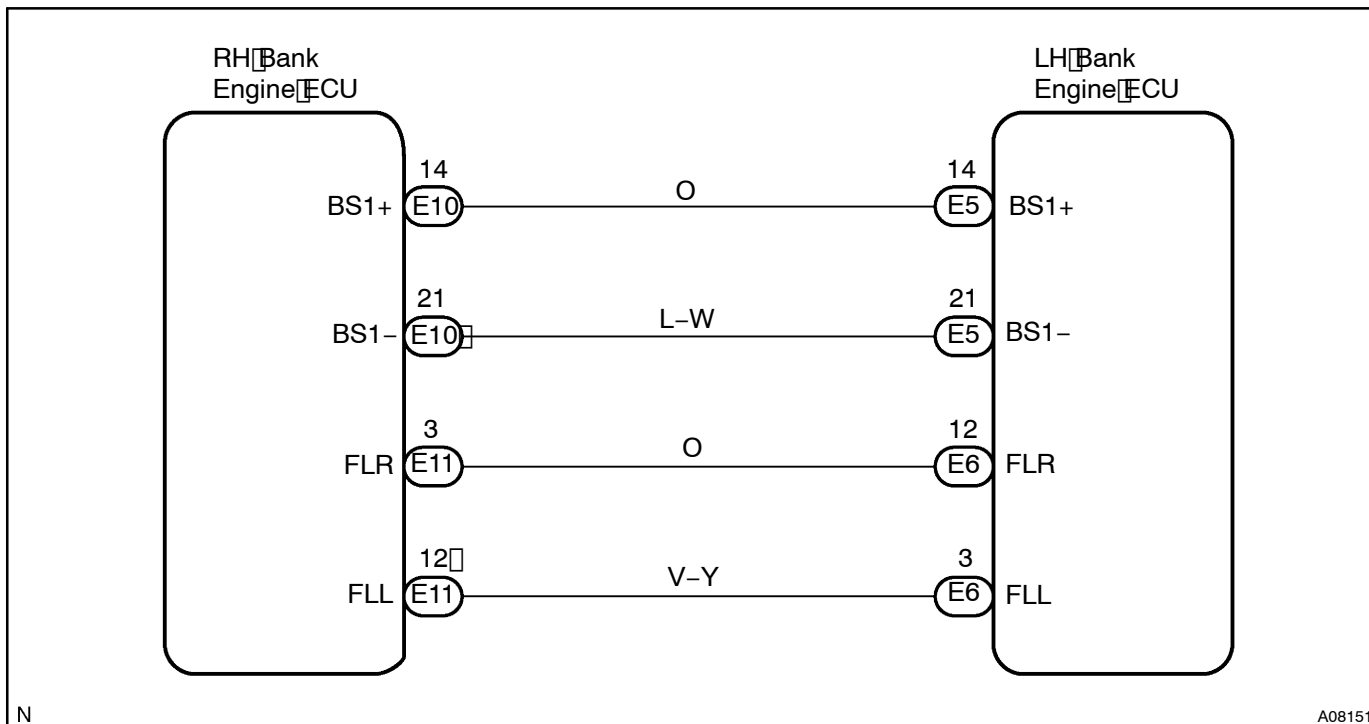


DTC	P1641/89	Communication Malfunction No.2
------------	-----------------	---------------------------------------

CIRCUIT DESCRIPTION

DTC No.	Detection Item	Trouble Area
P1640/89	When fail output of ECU communication is fixed ON or OFF for 88 msec. at opposite ECU.	<ul style="list-style-type: none"> • Wire harness • Engine ECU

WIRING DIAGRAM



INSPECTION PROCEDURE

1	Check for open and short in harness and connector between each terminals FLL of LH bank engine ECU and FLR of RH bank engine ECU (See page IN-20).
---	--

NG

Repair or replace harness or connector.

OK

Check and replace opposite bank engine ECU when that ECU detects P1641/89.