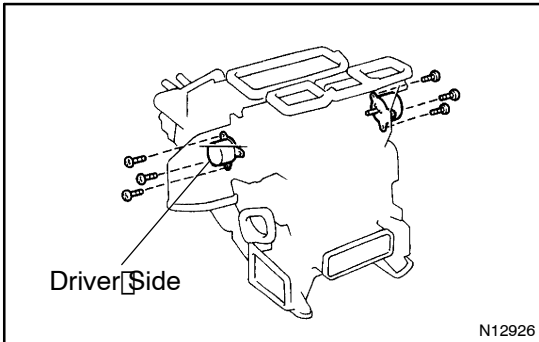


AIR MIX SERVOMOTOR INSPECTION

1. Driver side:

REMOVE AIR MIX SERVOMOTOR

- (a) Remove the instrument panel (See page BO-96).
- (b) Disconnect the connector.

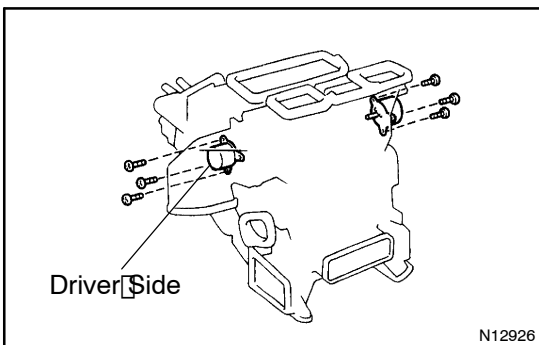


- (c) Remove the 3 screws and the servomotor.

2. Driver side:

INSPECT AIR MIX SERVOMOTOR CIRCUIT

(See page DI-831)



3. Driver side:

INSTALL AIR MIX SERVOMOTOR

- (a) Install the servomotor with the 3 screws.

- (b) Connect the connector.
- (c) Install the instrument panel (See page BO-105).