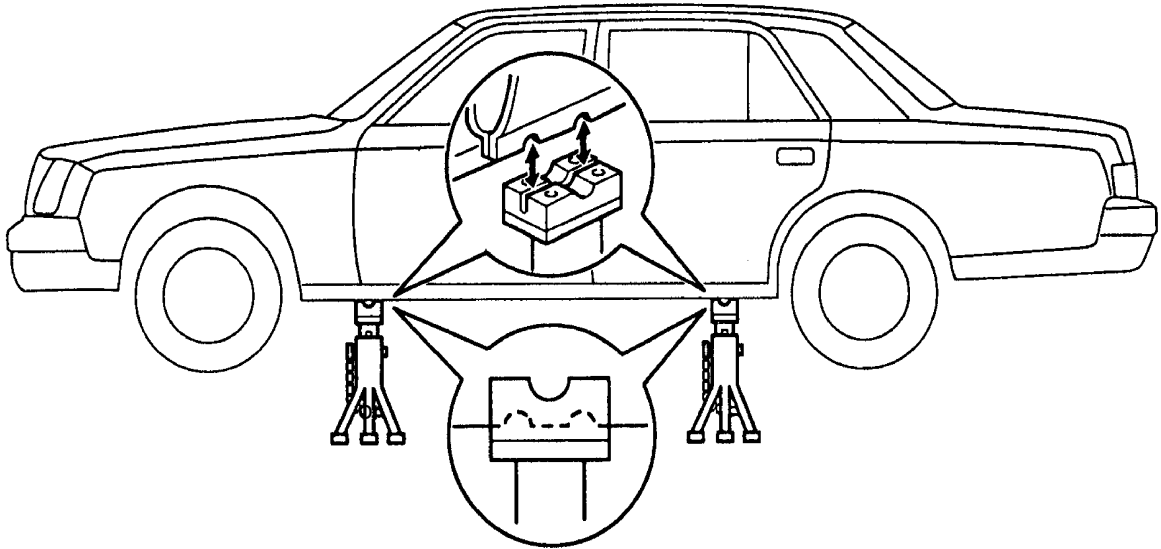
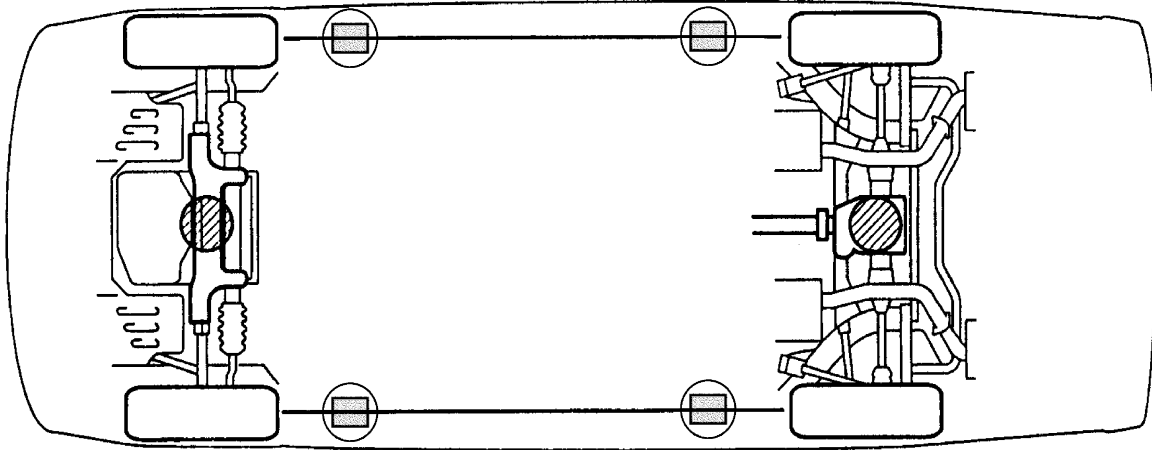


VEHICLE LIFT AND SUPPORT LOCATIONS



Front
←



IN03K-03

JACK POSITION ————— ●

Front - - - - - Front Crossmember

Rear - - - - - Rear differential carrier

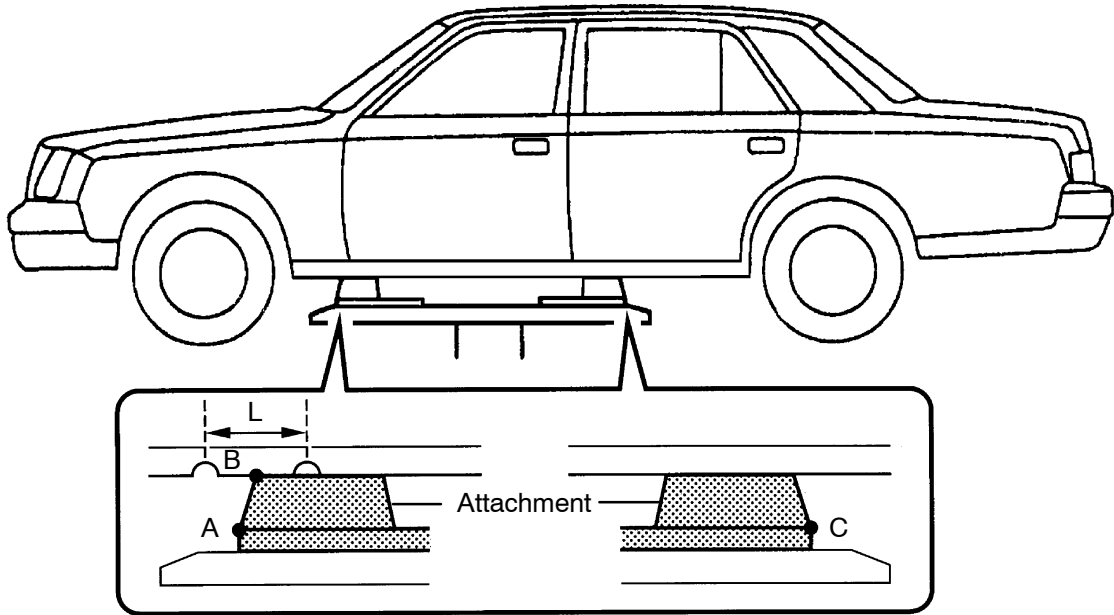
CAUTION: Before jacking-up the front and rear, make sure the vehicle is not carrying and extra wight.

PANTOGRAPH JACK POSITION ————— ○

SUPPORT POSITION

Safety stand and swing arm type lift - - - - - ■

Plate type lift:



HINT:

Right and left set position

Place the vehicle over the center of the lift.

Front and rear set position

- Align the cushion gum ends of the plate with the attachment lower ends (A, C).
- Align the attachment upper end (B) with the front jack supporting point (L).

Attachment dimensions

