

REPLACEMENT

1. REPLACE TRANSMITTER (LITHIUM) BATTERY

NOTICE:

Special caution should be taken for handling each component as they are precision electronic components.

(a) Using a screwdriver, remove the screw and cover.

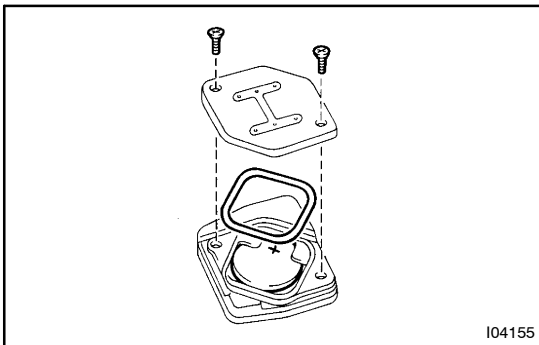
NOTICE:

Do not pry out the cover forcibly.

HINT:

Push the cover with a finger as shown in the illustration, so that there becomes clearance, then pry out the cover from that clearance.

(b) Remove the transmitter.

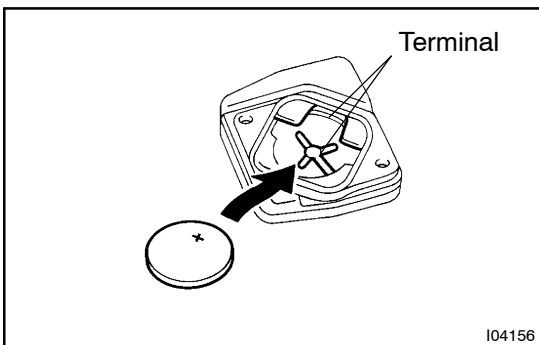


(c) Using a screwdriver, remove the 2 screws and cover.

(d) Remove the battery (lithium battery).

NOTICE:

- Do not push the terminals with a finger.
- If prying up the battery (lithium battery) forcibly to remove, the terminals are deformed.



(e) Install a battery (lithium battery) as shown in the illustration.

NOTICE:

Face the battery upward. Take care not to deform the terminals.

(f) Check that O-ring is not distorted or slipped off, and install the cover.

(g) Using a screwdriver, tighten the 2 screws.

NOTICE:

When the shrews are tightened loosely, it might cause faulty contact of battery (lithium battery) and terminals.

(h) Assemble the transmitter to the key plate and the cover.

(i) Using a screwdriver, tighten the screw.

2. REPLACE DOOR CONTROL RECEIVER AND TRANSMITTER

NOTICE:

When replacing the door control receiver and transmitter, registration of recognition code is necessary because they are provided as single components.

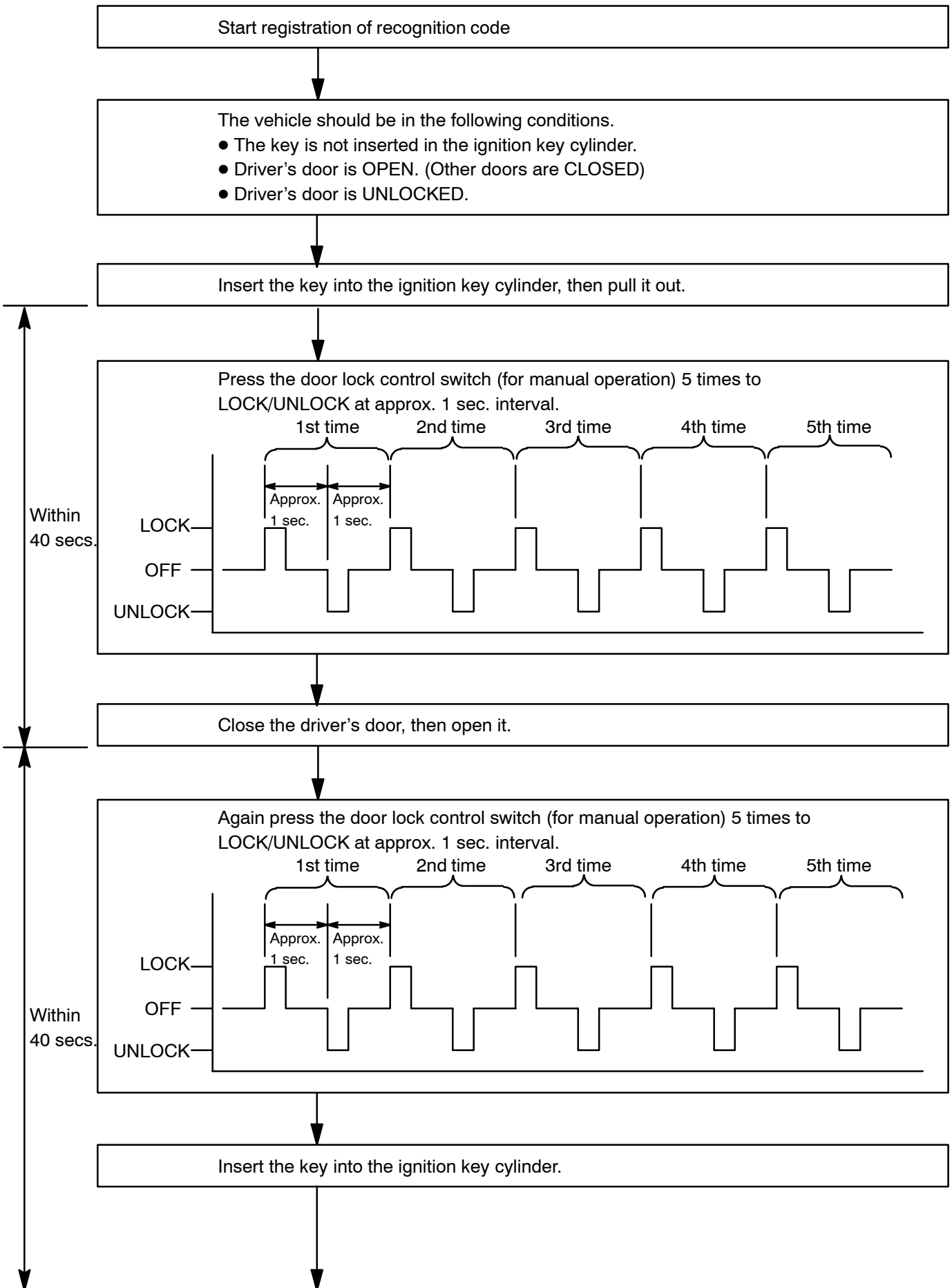
- (a) Select which operation mode should be performed from the following modes.
- Add mode
 - Rewrite mode
 - Prohibition mode
 - Confirmation mode

HINT:

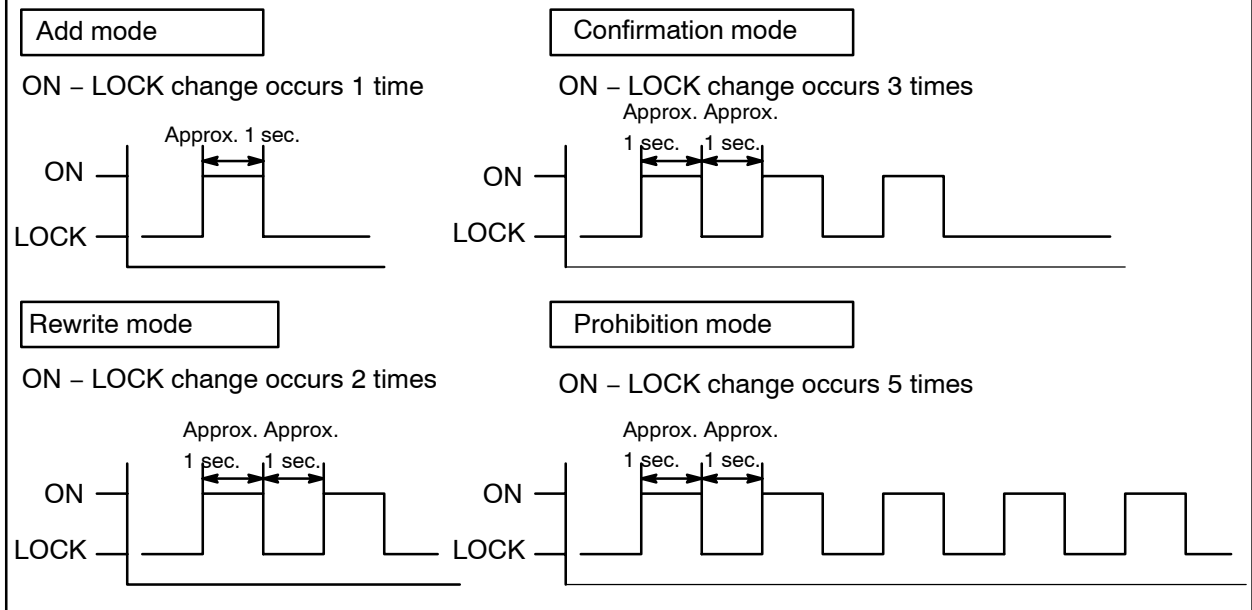
- The add mode is used to retain codes already registered while you register new recognition codes. This mode is used when adding a transmitter. However, if the number of registered codes exceeds 4 codes, previously registered codes are correspondingly erased in order, starting from the first registered code.
 - The rewrite mode is used to erase all previously registered codes and register only new recognition codes.
 - The prohibition mode is used to erase all registered codes and cancels the wireless door lock function. Use this mode when the transmitter is lost.
 - The confirmation mode is for confirming how many recognition codes are already registered before you register additional recognition codes.
- (b) Follow the chart on the following pages to register the transmitter recognition code at the wireless door lock control receiver.

HINT:

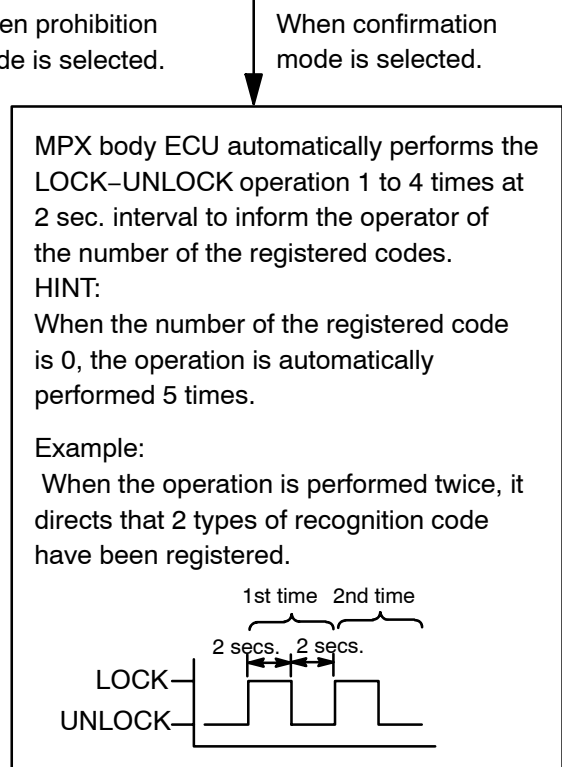
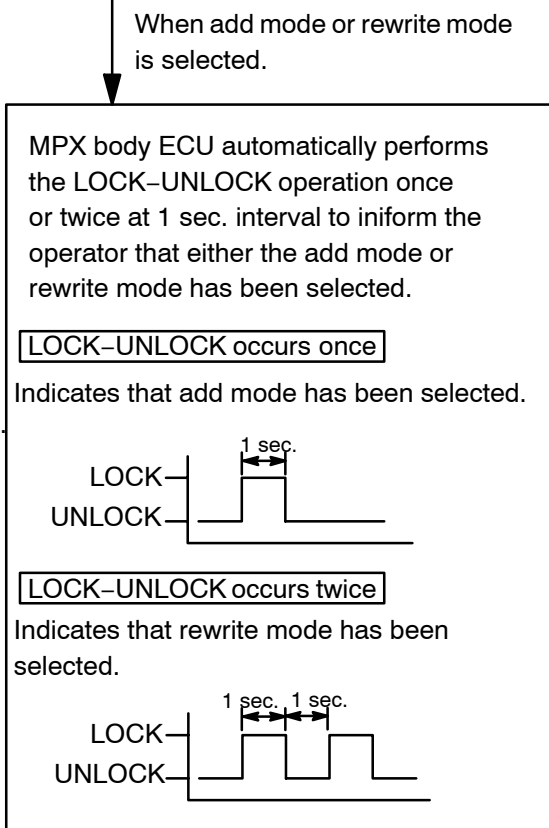
- When procedure is out of the specified, the operation returns to normal operation.
- Maximum 4 recognition codes can be registered.



Turn the ignition switch from ON to LOCK at approx. 1 sec. interval 1 to 5 times to select the mode.



Pull out the key plate from the ignition key cylinder.



Registration of recognition code (Confirmation mode and prohibition mode) is completed.

