

R12473

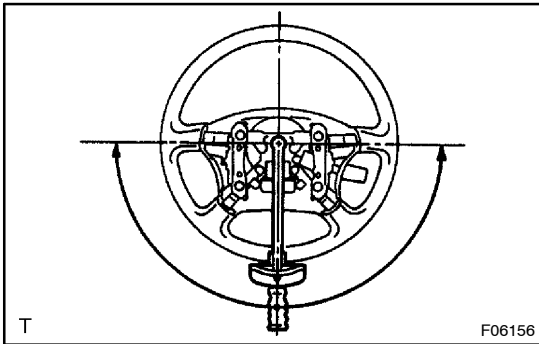
## STEERING WHEEL INSPECTION

SR0BJ-04

### 1. CHECK STEERING WHEEL FREEPLAY

- (a) Stop the vehicle and face the tires straight ahead.
- (b) Rock the steering wheel gently up and down with a finger lightly, check the steering wheel freeplay.

**Maximum freeplay: 30 mm (1.18 in.)**



F06156

### 2. CHECK STEERING EFFORT

- (a) Center the steering wheel.
- (b) Remove the steering wheel pad (See page SR-12).
- (c) Start the engine and run it at idle.
- (d) Measure the steering effort in both directions.

**Steering effort (Reference):**

**6.0 N·m (61 kgf·cm, 53 in.·lbf)**

#### HINT:

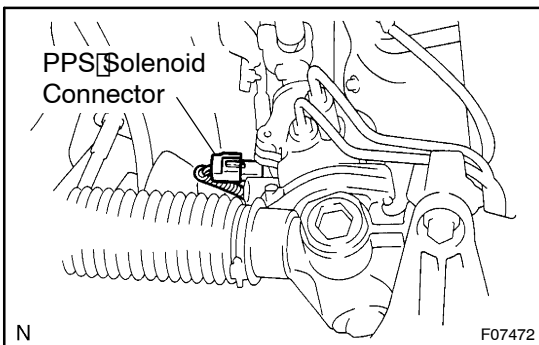
Take the tire type, pressure and contact surface into consideration before making your diagnosis.

- (e) Disconnect the PPS solenoid connector.
- (f) Measure the steering effort in both directions and check that the steering effort exceeds the reference value in (d), and that the power assist is operating. If steering effort is not heavier than (d), check the solenoid.

#### HINT:

Take the tire type, pressure and contact surface into consideration before making your diagnosis.

- (g) Connect the connector.
- (h) Torque the steering wheel set nut.  
**Torque: 35 N·m (360 kgf·cm, 26 ft·lbf)**
- (i) Install the steering wheel pad (See page SR-18).



F07472