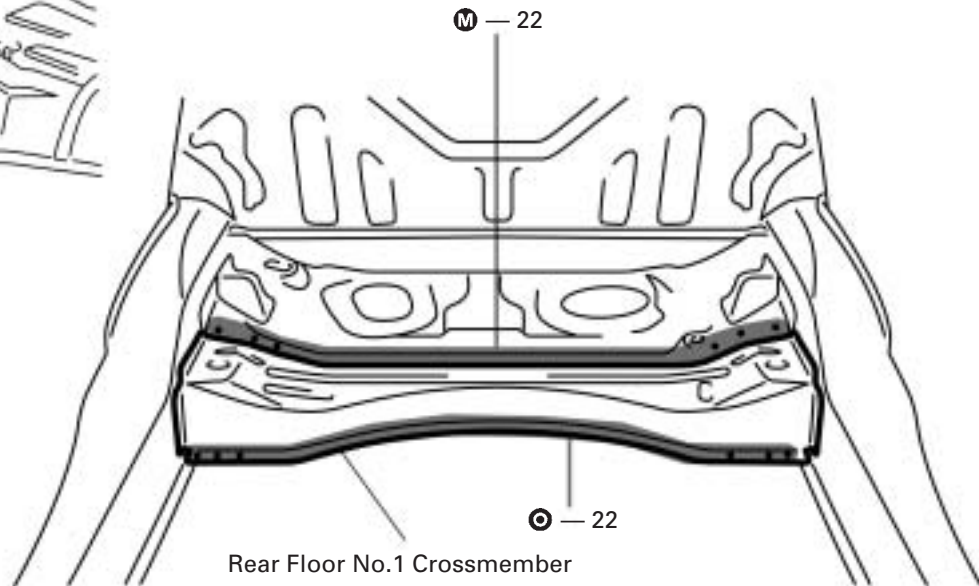
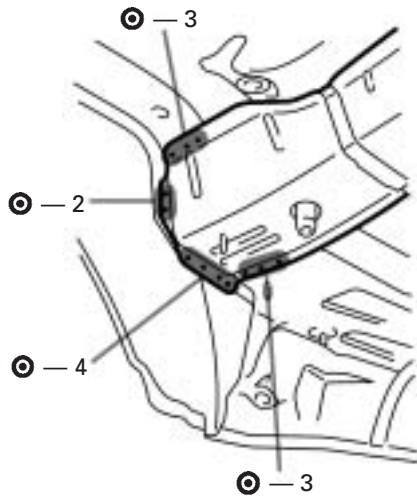


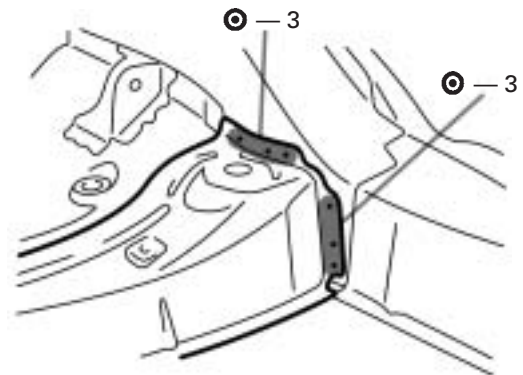
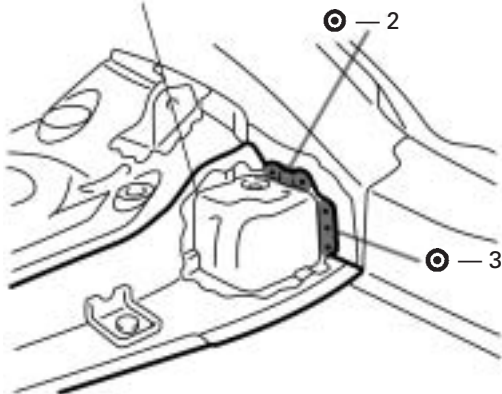
## REAR FLOOR No.1 CROSSMEMBER, REAR FLOOR No.2 CROSSMEMBER (ASSY)



**REMOVAL (With the rear floor pan removed.)**

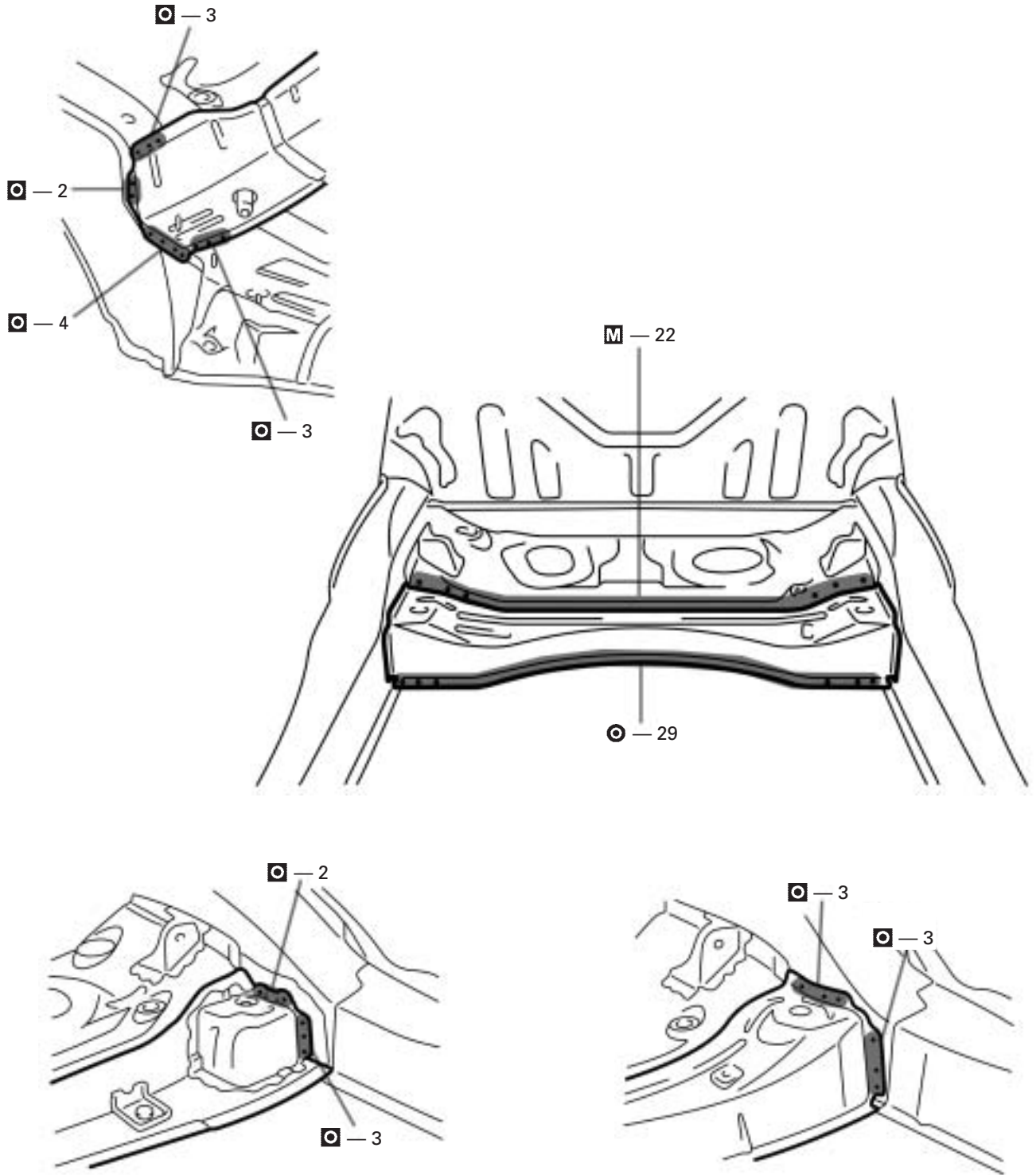


Rear Suspension Member  
Mounting Support



1. After removing the rear floor No.1 crossmember, disconnect the welding between the rear suspension member mounting support and the rear floor side member.

INSTALLATION



1. Temporarily install the new parts and measure each part in accordance with the body dimension diagram.
2. Install the rear floor No.1 crossmember after welding the rear floor No.2 crossmember.