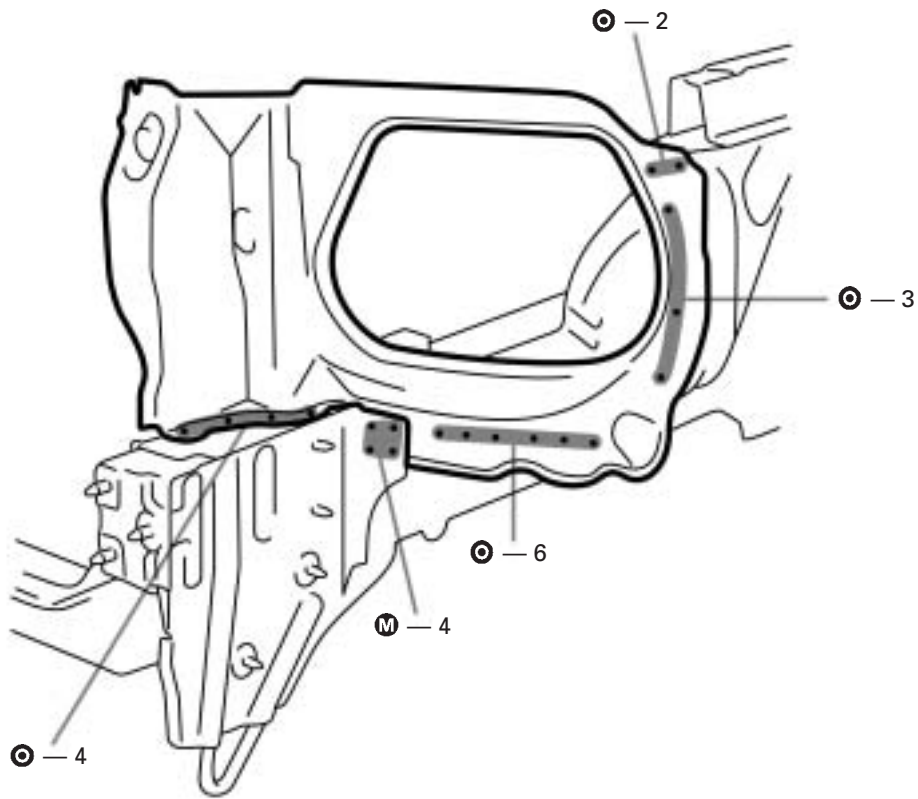
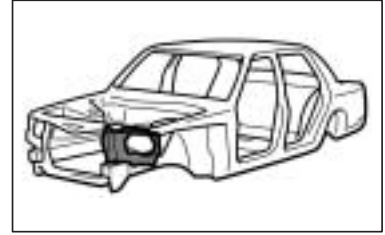
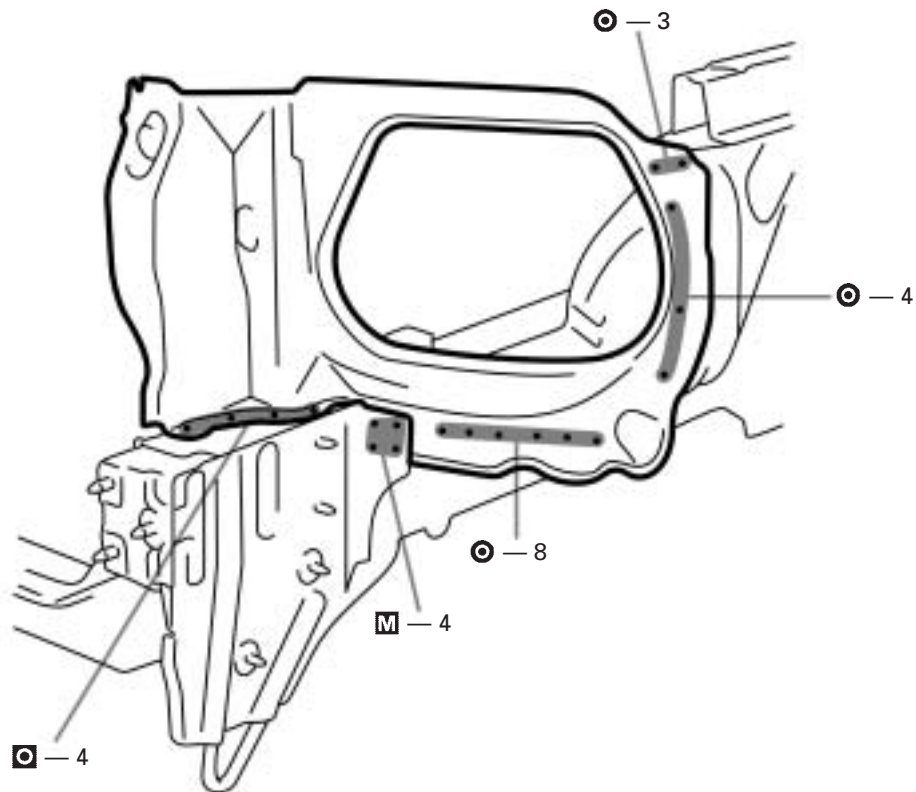


RADIATOR SIDE SUPPORT (ASSY)

REMOVAL (With the radiator upper support removed.)



INSTALLATION



1. Temporarily install the new parts and measure each part in accordance with the body dimension diagram.

HINT: First install the radiator upper support.