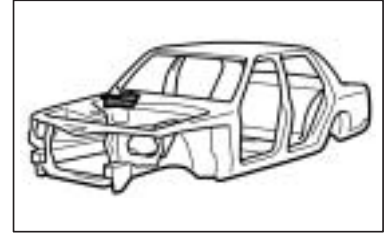
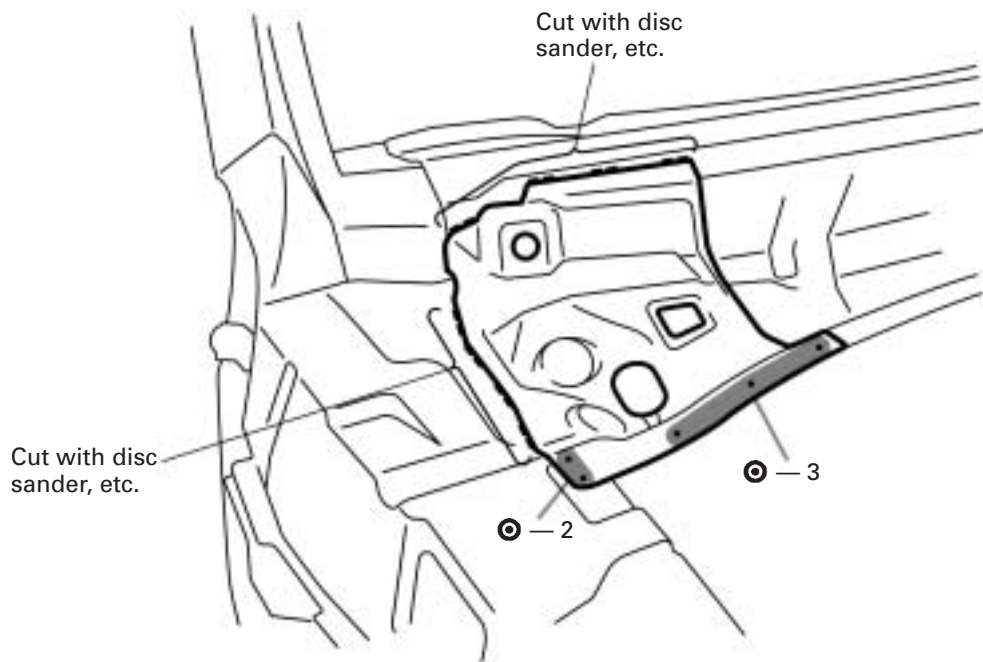


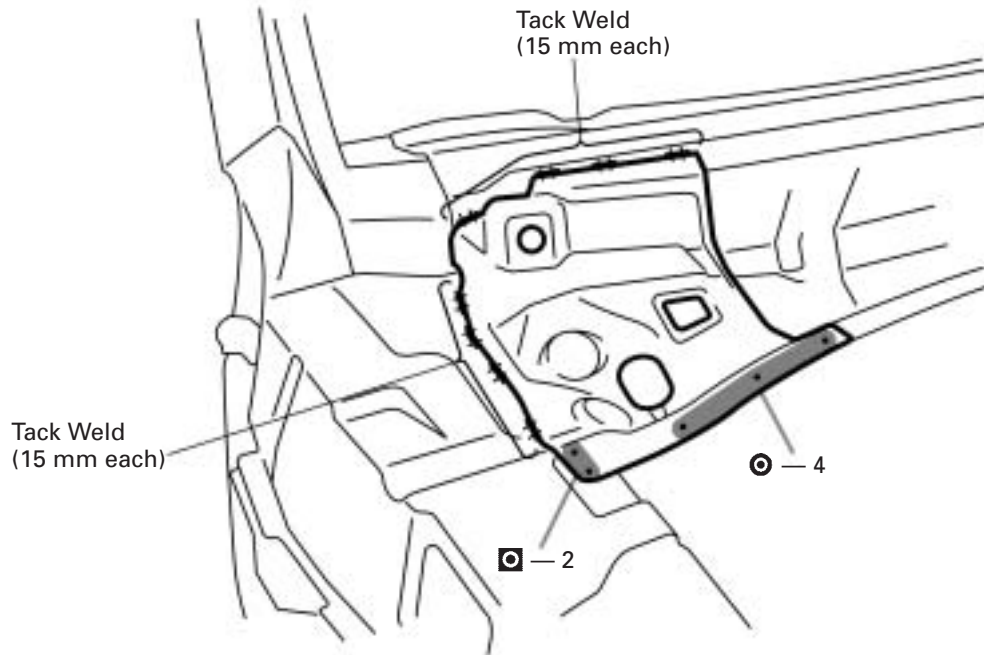
**COWL TOP TO APRON BRACE (ASSY):
Driver Side**



REMOVAL

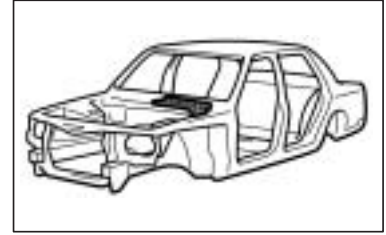


INSTALLATION

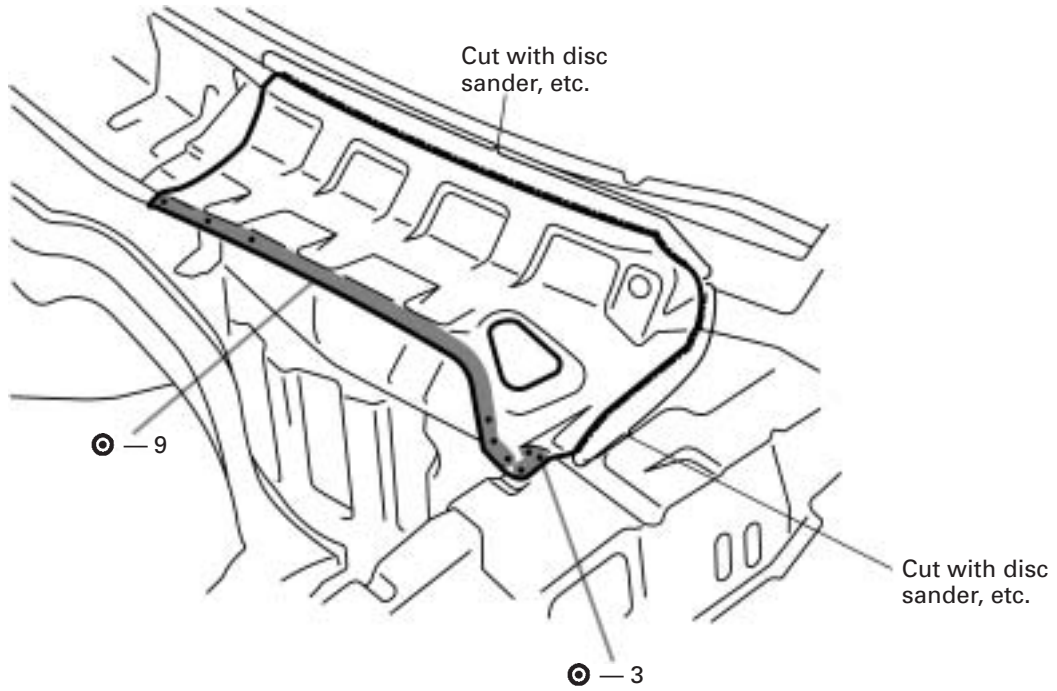


mm	in.
15	0.59

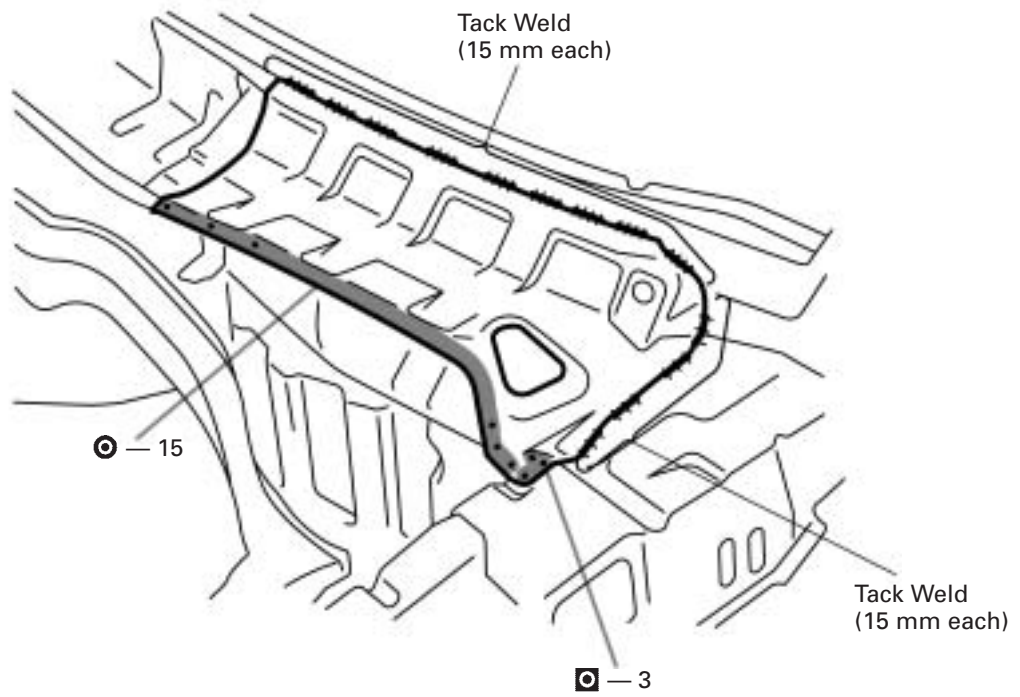
**COWL TOP TO APRON BRACE (ASSY):
Passenger Side**



REMOVAL



INSTALLATION



mm	in.
15	0.59