

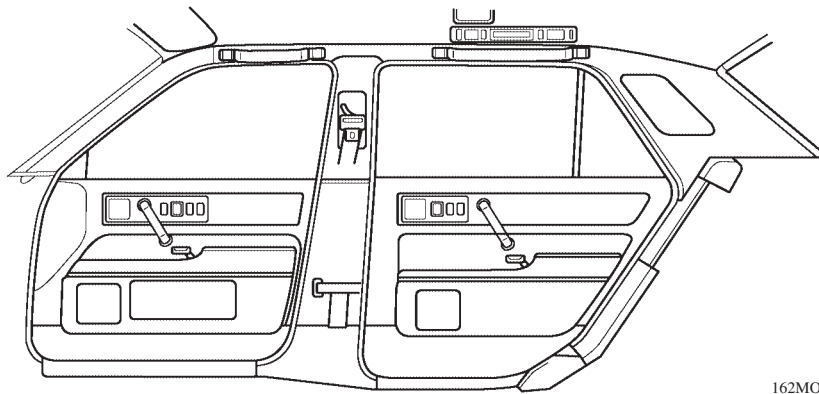
TRIMS & GARNISHES

Providing functional form while maintaining composure, the trims and garnishes use energy-absorbing materials to ensure safety.

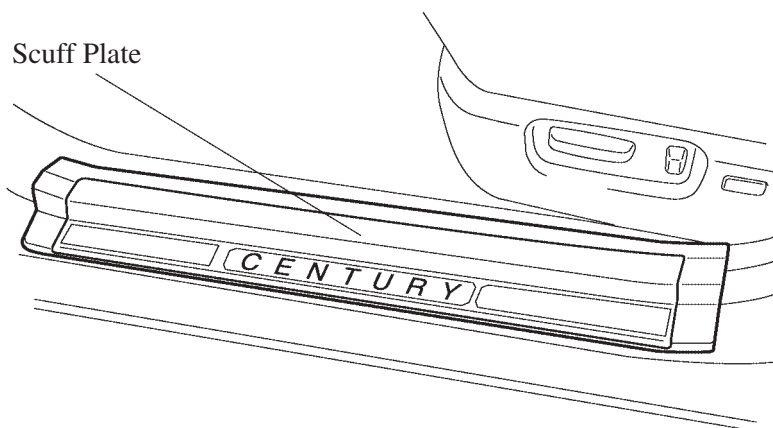
- 1 The garnishes use a cover material to eliminate the bottoming feel and provide a uniform touch.
- 2 The door armrest cover is made of genuine leather, and the front and rear door trims and lower armrest bases use synthetic leather to harmonize with the seat covers.

SALES POINT

- 1 The door trims are provided with door grips wrapped with genuine leather, and various areas such as the switch base are plated to achieve a luxurious look.
- 2 The scuff plate is made of a large stainless molding with a surface ornament. An aluminum plate with the "CENTURY" lettering is affixed to the scuff plate to emphasize the vehicle's luxuriousness and presence.



162MO08



162MO09