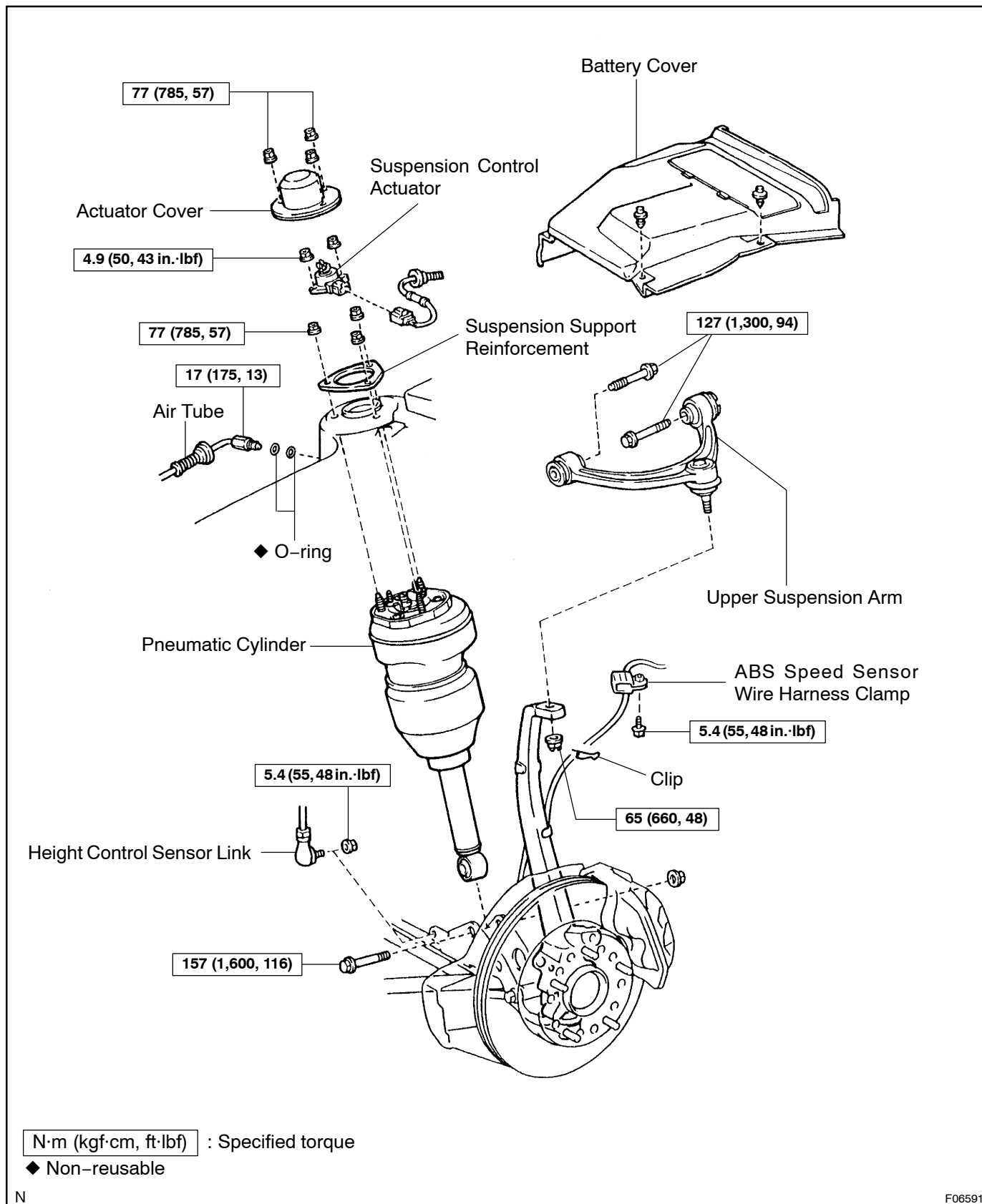


FRONT UPPER SUSPENSION ARM COMPONENTS

SA0JB-02



N

F06591