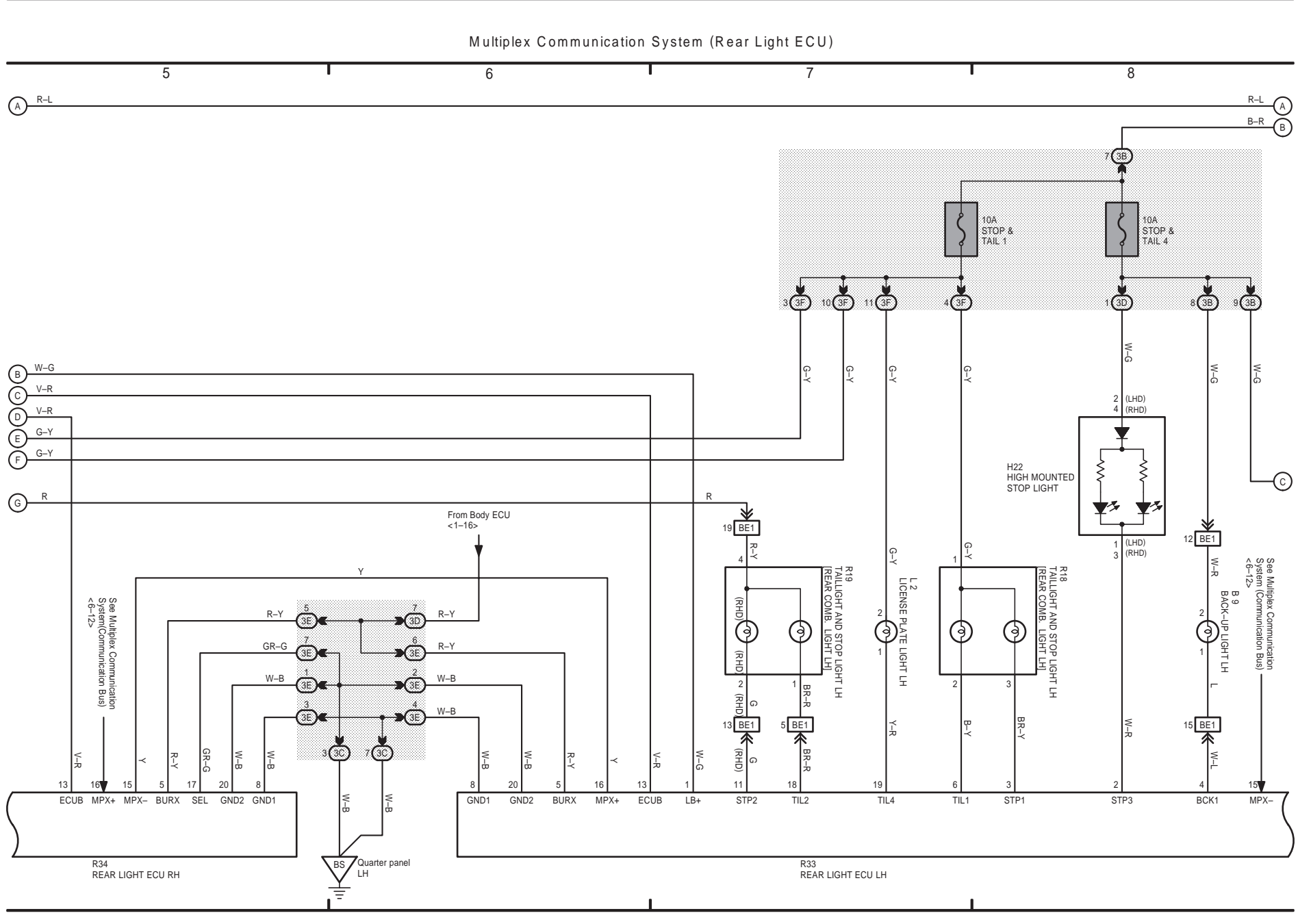
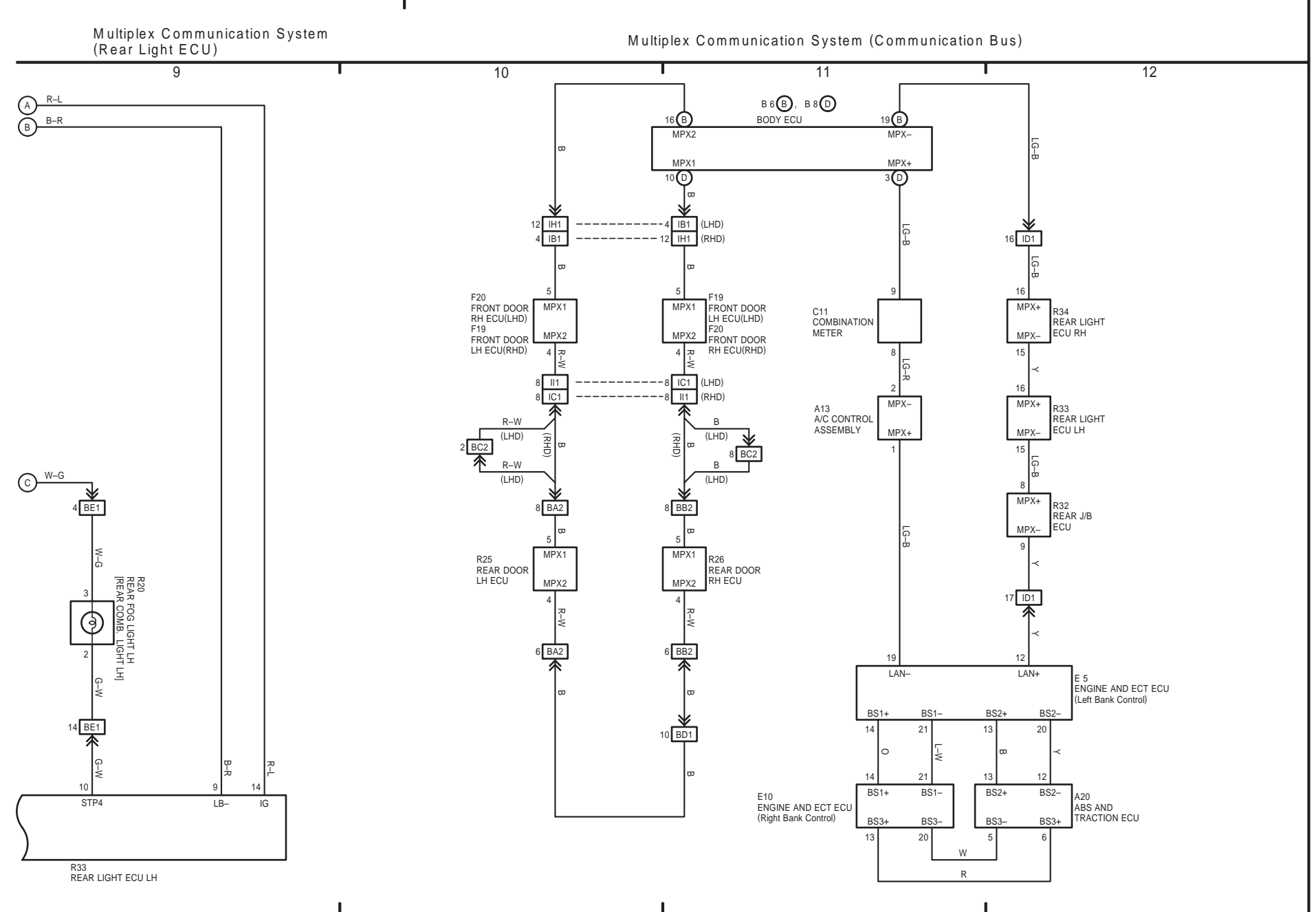


OVERALL ELECTRICAL WIRING DIAGRAM



CENTURY (EWD366F)



CENTURY (EWD366F)

OVERALL ELECTRICAL WIRING DIAGRAM