

**POWER SEATS**

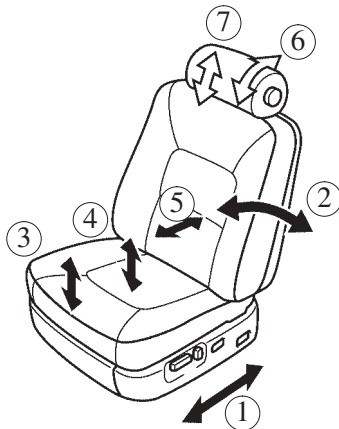
The power seats have the following features:

- Power seats are standard equipment for the front and rear seats.
- The rear seat is a 40/60 split type power seat in which the position of the right and left seats can be adjusted independently.
- A lumbar support is provided in the driver and rear seats of the RHD model and in all seats of the LHD model as standard equipment. The Ottoman function is provided in the front passenger seat of the RHD model.

●: Power ○: Manual

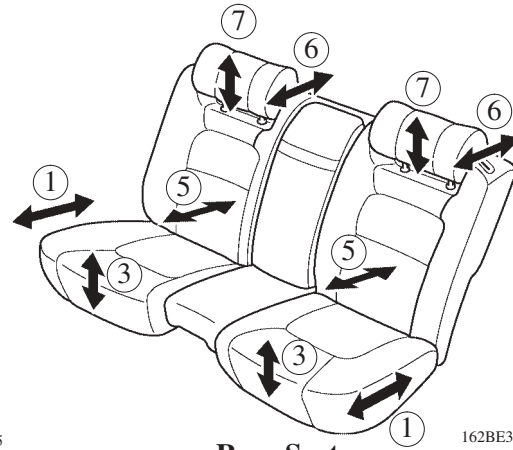
Seat Adjustment Function		Front		Rear (Left, Right)
		Driver	Passenger	
①	Fore-and-Aft Slide	●	●	●
②	Reclining	●	●	—
③	Front Vertical Height	●	●	●
④	Rear Vertical Height	●	●	—
⑤	Lumbar Support	●	●*1, —*2	●
⑥	Headrest Fore-and-Aft Adjustment	○	○	●
⑦	Headrest Height	○	○	●

\*1: LHD Model, \*2: RHD Model



**Driver's Seat (LHD Model)**

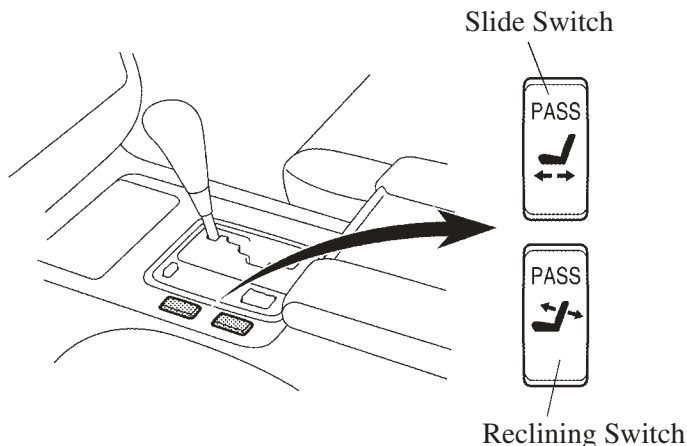
162BE15



**Rear Seat**

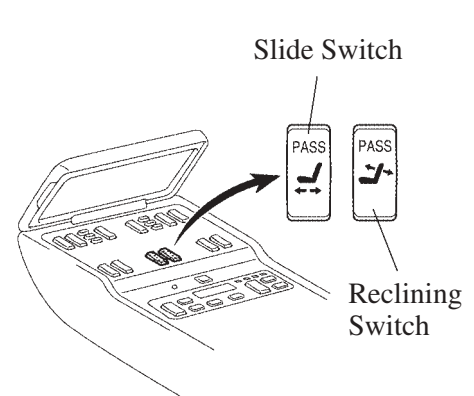
162BE32

- In addition to placing the front passenger seat's slide switch and reclining switch outside of the front passenger seat, the switches are also provided in the front console upper panel and the rear center armrest.



**Front Console Upper Panel**

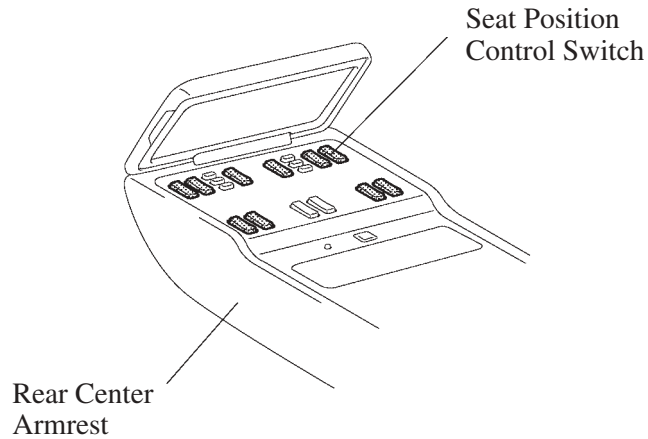
162BE04



**Rear Center Arm Rest**

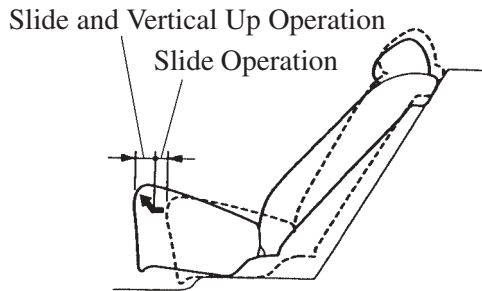
162BE05

- The seat position control switch for the rear power seat is provided in the rear center armrest to ensure accessibility and ease of use.

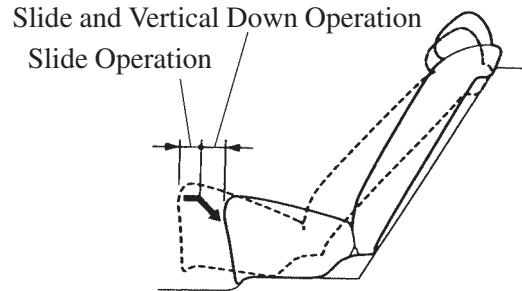


162BE28

- A slide linked vertically function is provided in the rear power seat. When the seat cushion is slid continuously over 50mm (2.0 in.) through the switch operation, this function causes the seat cushion to effect a vertical-up (when sliding forward) or a vertical-down (when sliding rearward) movement together with the sliding movement.



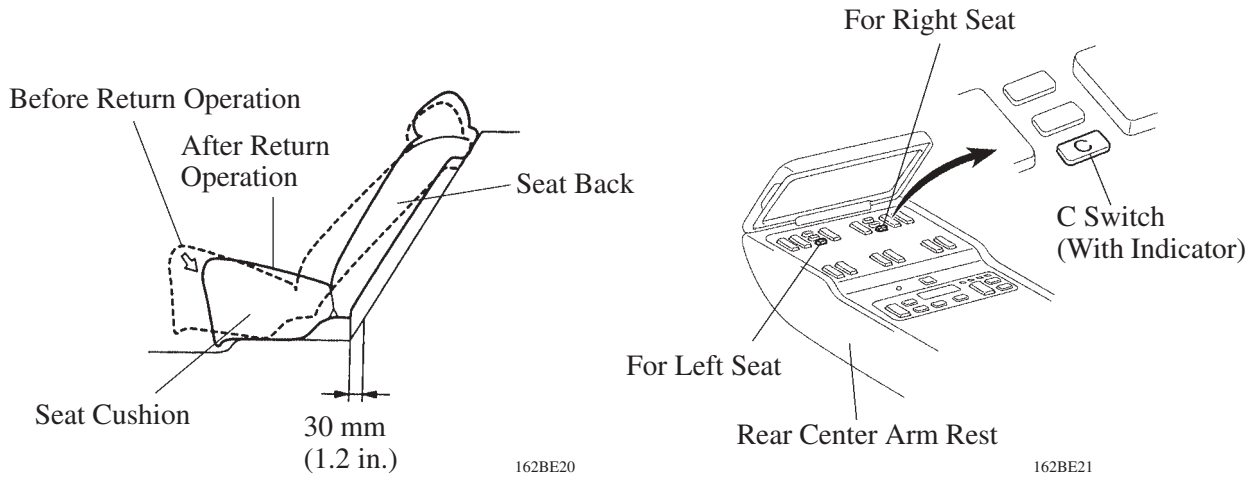
163BE18

**Forward Slide Movement**

162BE19

**Rearward Slide Movement**

- A door open linked return function is provided to cause the rear seat that is adjacent to the opened door, when a rear door is opened, to automatically effect rear slide and vertical down movements, thus facilitating the in-and-out access of the rear seat passengers. This function causes the rear seat to move 30mm (1.2 in.) forward of the rearmost position and the cushion to move to its downmost position.
- The door open linked return function can be enabled or disabled by operating the C switch in the rear center armrest.



- A seat position memory function is provided to store and retrieve the position of the rear seat. This function can store in its memory one seat position for each of the right and left seats.
- Pressing the SET switch in the rear center armrest stores the seat position in memory and pressing the M switch retrieves the position.
- When the Ottoman function that is provided in the passenger seat of the RHD model is being used, the function for retrieving the rear left seat position from memory is disabled.

