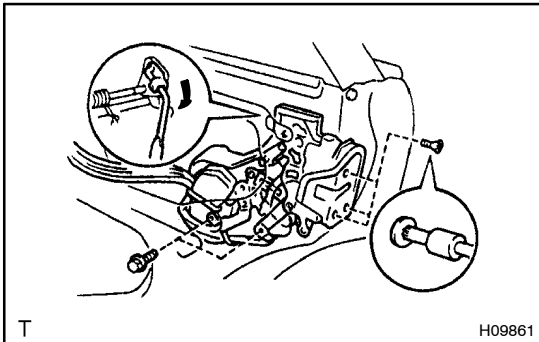


## REASSEMBLY

1. INSTALL REAR DOOR CLOSER RELAY
2. INSTALL MULTIPLEX NETWORK DOOR COMPUTER
3. INSTALL REAR DOOR OUTSIDE HANDLE
4. INSTALL REAR DOOR CLOSER

### HINT:

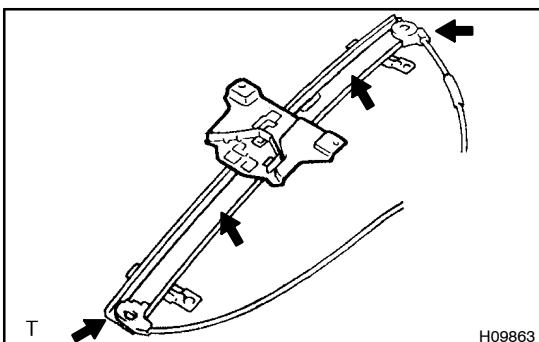
Apply MP grease to the sliding and rotating parts of the door lock.



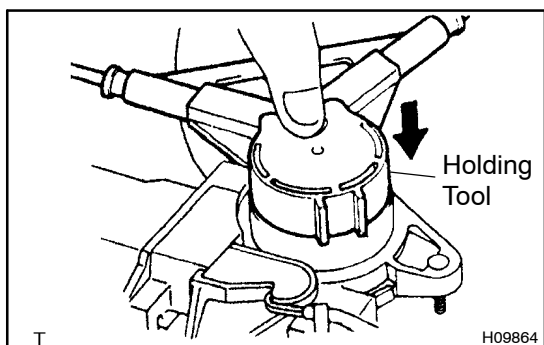
- (a) Install the rear door closer with the 3 torx screws.  
**Torque: 5.0 N·m (51 kgf·cm, 44 in·lbf)**
- (b) Install the bolt.  
**Torque: 5.0 N·m (51 kgf·cm, 44 in·lbf)**
- (c) Connect the link to the outside handle.
- (d) Connect the connector.
5. **REMOVE DOOR LOCK REMOTE CONTROL BASE PLATE**  
**Torque: 11 N·m (115 kgf·cm, 8 ft·lbf)**
6. **If replacing the window regulator:**  
**INSTALL WINDOW REGULATOR TO MOTOR**

### NOTICE:

- To prevent the drum and cable from coming off, do not tilt the drum, subject it to shocks or use force on it.
  - If the cable comes off the drum, do not rewind the cable and do not reuse it.
  - After installing the window regulator, do not operate it by itself as some types of regulator do not have a stopper.
- (a) Insert a new window regulator drum into the motor housing.



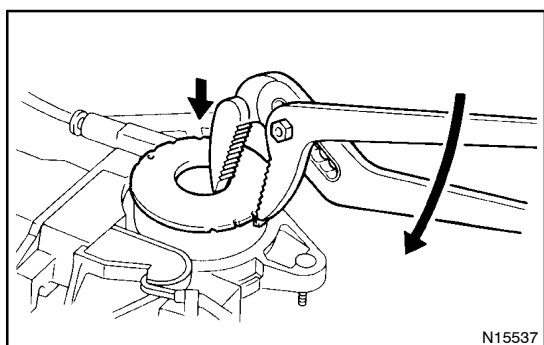
- (1) Apply MP grease to the glass guide and rollers of window regulator.



- (2) With the holding tool installed, match the holding tool with the motor housing.
- (3) Push down on the wire guide and drum, and insert the drum into the motor housing.

**NOTICE:**

If you cannot insert the drum into the motor, slowly slide the bracket for installing the glass, and insert the drum while aligning the drive shaft of the motor with the drum.



- (b) Using water pump pliers crimp the tab of a new cover plate.

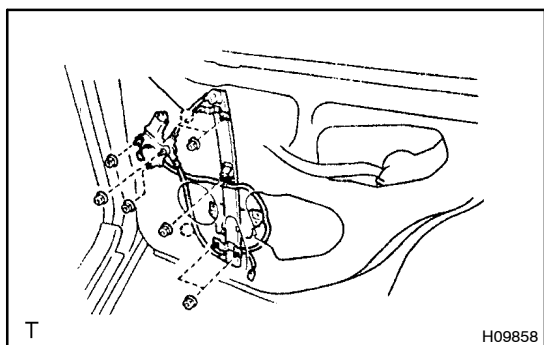
**NOTICE:**

- Do not hit the cover plate with a hammer, etc..
- Do not damage the motor housing.

## 7. INSTALL REAR DOOR POWER WINDOW REGULATOR

**HINT:**

Apply MP grease to the sliding and rotating parts of the window regulator.



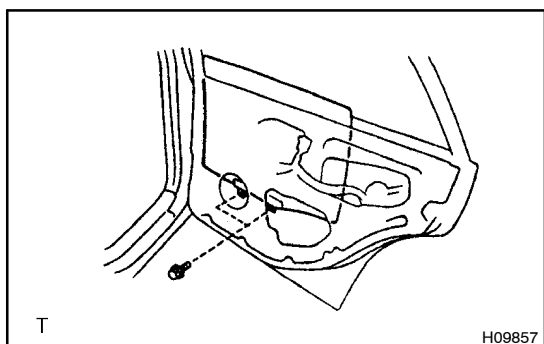
- (a) Install the rear door power window regulator with the 3 nuts.

**Torque: 5.5 N·m (56 kgf·cm, 49 in.·lbf)**

- (b) Connect the connector.

**NOTICE:**

Always reset the power window motor (initial position setting for the limit switch) whenever installing the power window regulator to the door (See page BO-32).



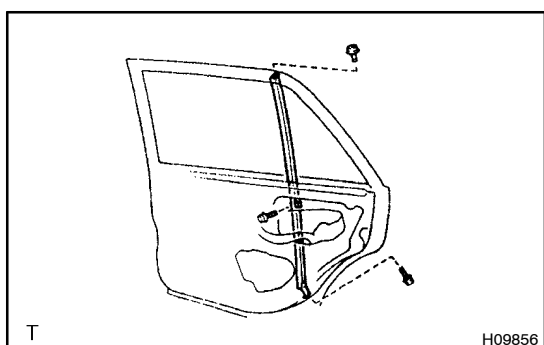
## 8. INSTALL REAR DOOR GLASS

Install the rear door glass with the 2 bolts.

**Torque: 8.0 N·m (82 kgf·cm, 71 in.·lbf)**

## 9. INSTALL REAR DOOR QUARTER WINDOW GLASS WITH WEATHERSTRIP

## 10. INSTALL REAR DOOR GLASS RUN



## 11. INSTALL REAR DOOR DIVISION BAR

Install the rear door division bar with the 2 bolts and screw.

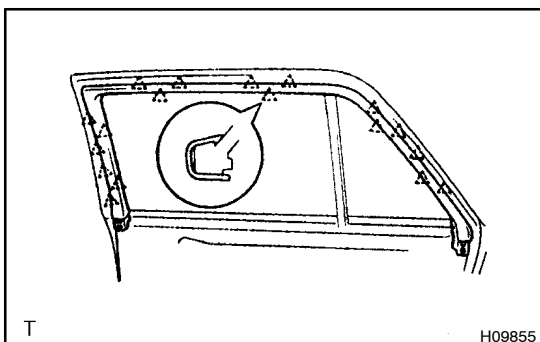
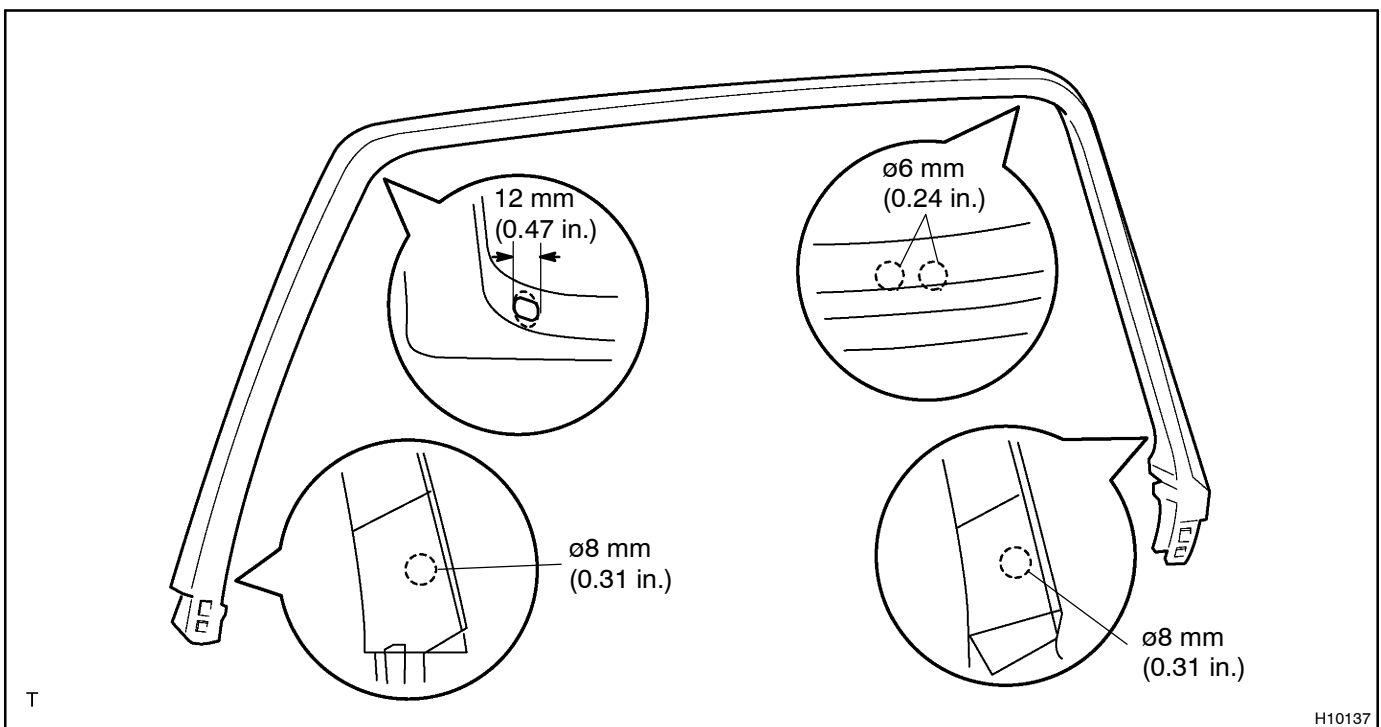
**12. INSTALL REAR DOOR FRAME GARNISH**

(a) w/ Window curtain:

When installing a new garnish, bore holes with a drill to the dimensions indicated in the illustration along the marks on the backside of the garnish.

HINT:

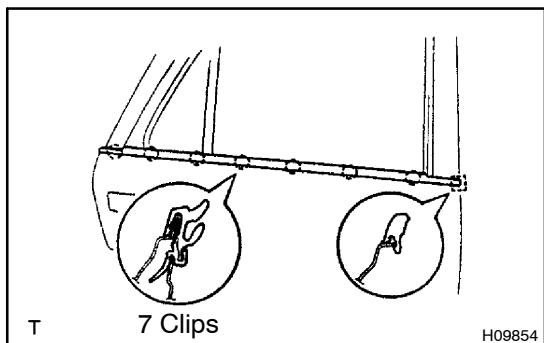
- When boring A hole, first bore a hole of  $\varnothing 8$  mm (0.31 in.), and then enlarge it to 12 mm (0.47 in.).  
(The dimension of mark is  $\varnothing 14$  mm (0.55 in.).)
- After boring holes, ensure that there are no burrs around the holes.



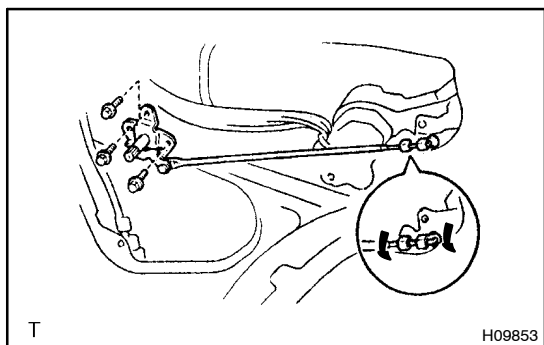
(b) Install the rear door frame garnish.

(c) w/ Window curtain:

Install the curtain rail clamp with the screw.

**13. INSTALL REAR DOOR BELT MOULDING**

Install the rear door belt moulding.

**14. INSTALL REAR DOOR LOCK CONTROL LINK**

(a) Install the rear door lock control link with 3 bolts.

**Torque: 11 N·m (115 kgf·cm, 8 ft·lbf)**

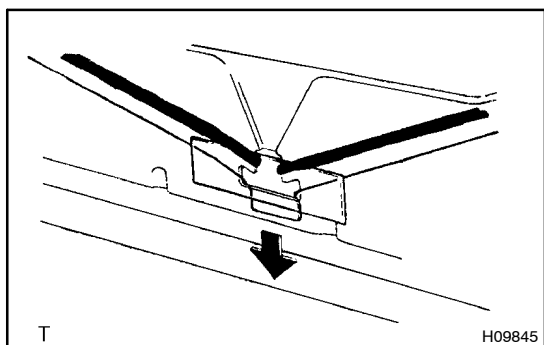
(b) Connect the control link to the door closer.

**15. INSTALL REAR DOOR SERVICE HOLE COVER**

(a) Install a new rear door service hole cover.

**HINT:**

- There should be no wrinkles or folds after attaching the service hole cover.



- Insert the lower part of service hole cover into inside the door panel and fix by cotton tape.
- After attaching the service hole cover, sealing condition shall be confirmed.

(b) Install the 3 grommets.

**16. INSTALL REAR DOOR INSIDE LOCKING LINK**

(a) Install the rear door inside locking link with the 2 clips.

(b) Connect the link to the door closer.

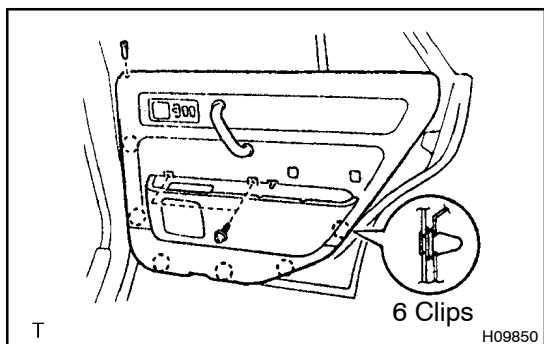
**17. INSTALL TWEETER SPEAKER****18. INSTALL SPEAKER****19. INSTALL REAR DOOR TRIM**

(a) w/ Window curtain:

Install the curtain rail holder.

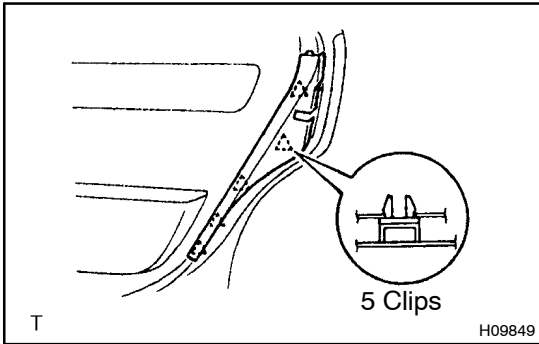
(b) Install the door trim switch with the 4 screws to the door trim.

(c) Connect the connector.

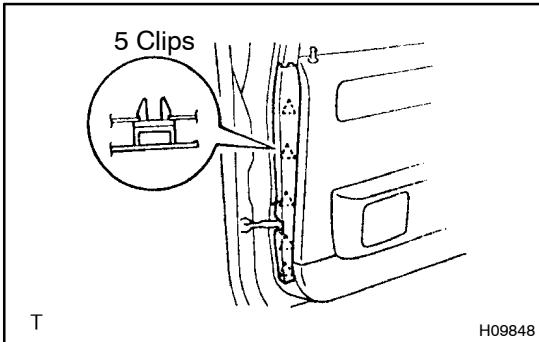


(d) Install the door trim with the 2 screws.

(e) Install the door lock control knob.

**20. INSTALL SIDE TRIM BOARD REAR NO.2 COVER**

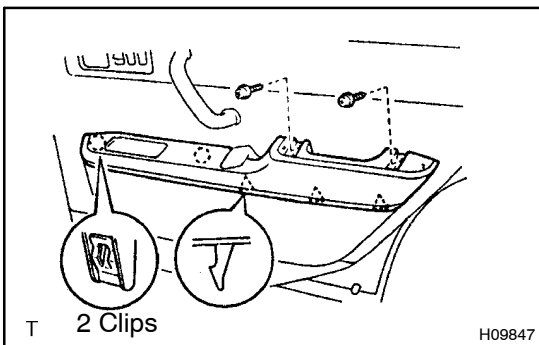
Install the side trim board rear No.2 cover.

**21. INSTALL SIDE TRIM BOARD REAR COVER**

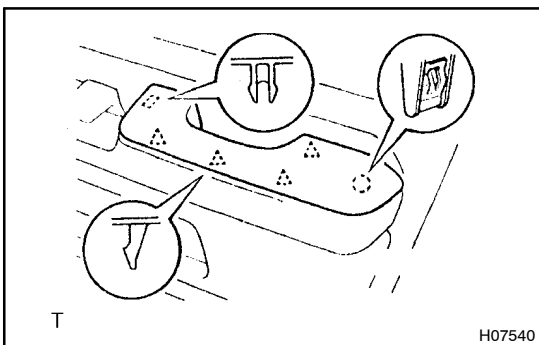
Install the side trim board rear cover.

**22. INSTALL COURTESY LIGHT**

Connect the connector, then install the courtesy light.

**23. INSTALL DOOR INSIDE HANDLE****24. w/ Window curtain:****INSTALL WINDOW CURTAIN ASSEMBLY****25. INSTALL REAR DOOR TRIM UPPER PANEL**

Install the rear door trim upper panel with the 2 screws.

**26. INSTALL DOOR ARMREST CAP****27. INSTALL REAR DOOR ARMREST**

Install the rear door armrest.