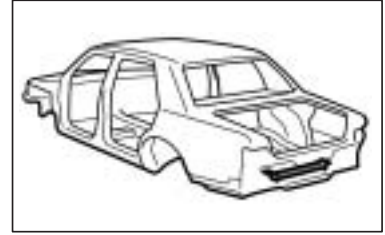
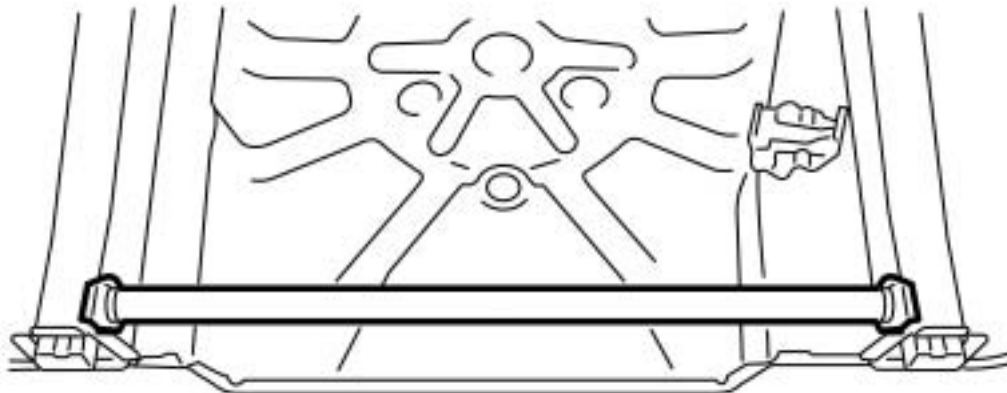
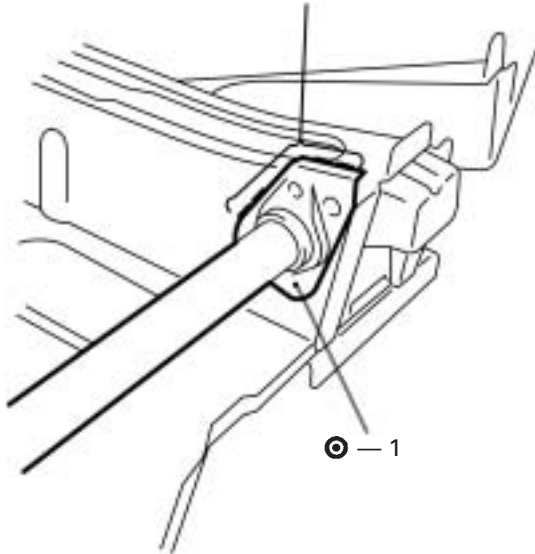
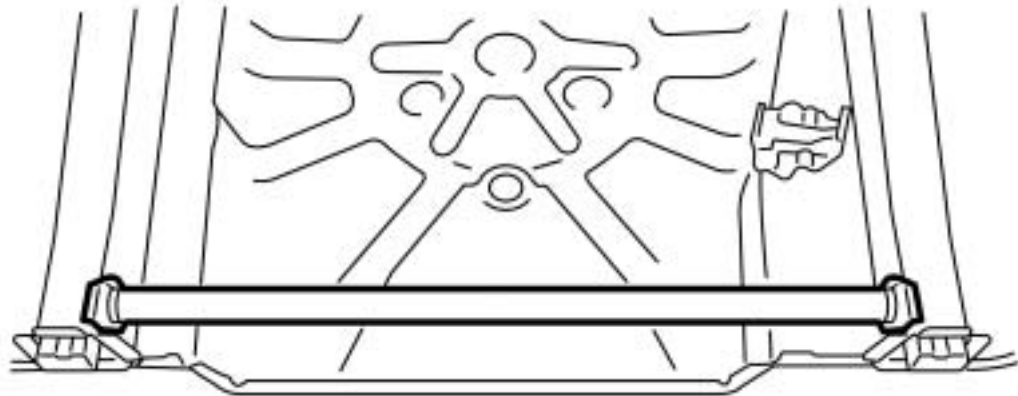
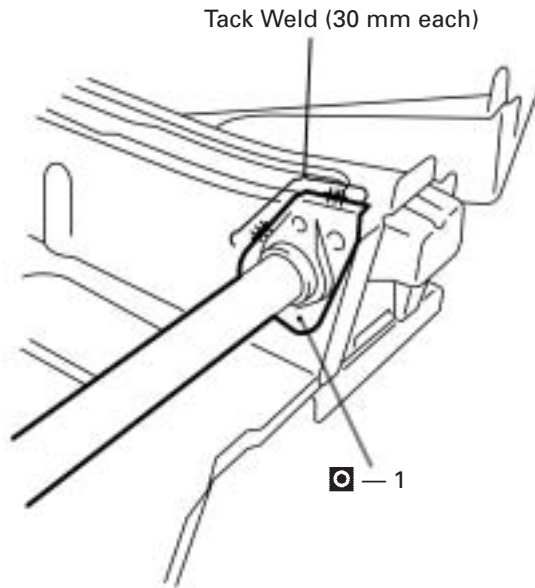


**REAR FLOOR SIDE MEMBER BRACE (ASSY)****REMOVAL (With the body lower back panel removed.)**

Cut with disc sander, etc.



INSTALLATION



| mm | in.  |
|----|------|
| 30 | 1.18 |