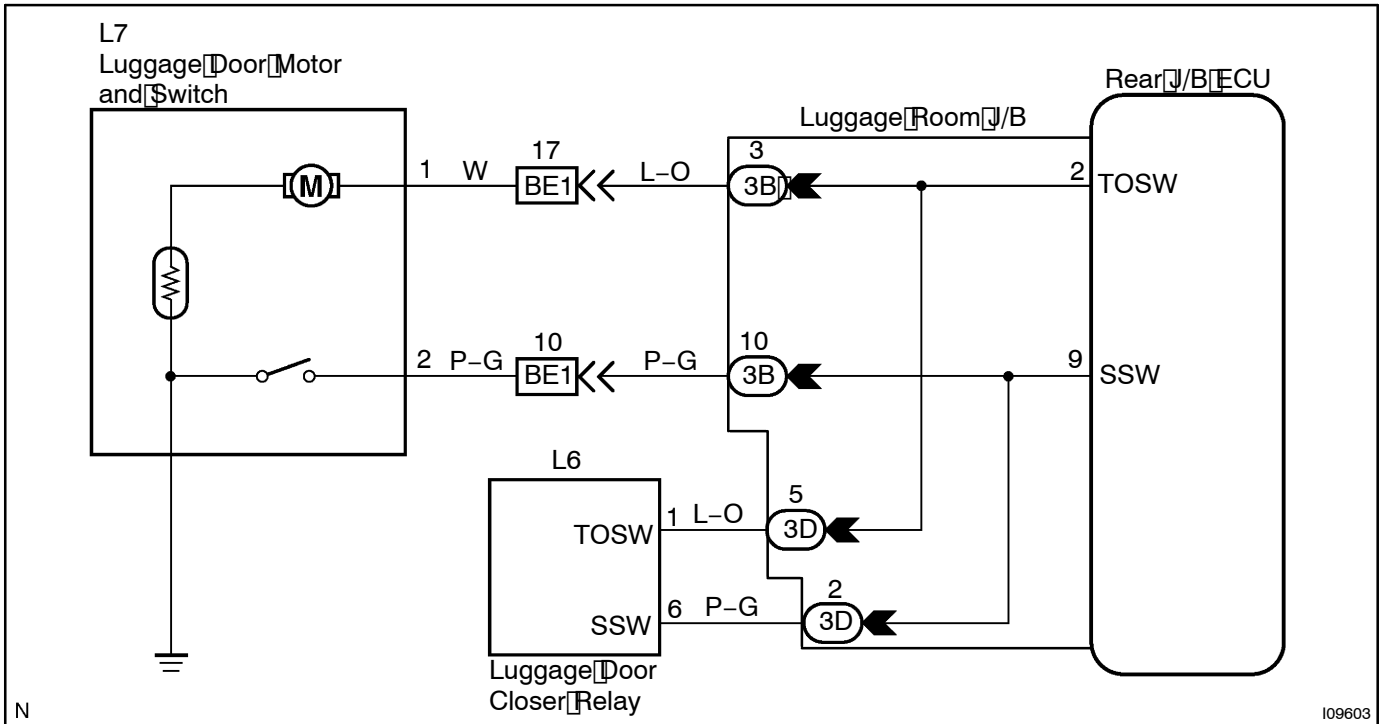


Luggage lid opener motor circuit

WIRING DIAGRAM



INSPECTION PROCEDURE

- 1 Check luggage opener motor (See page BE-149).

NG

Replace the luggage opener motor.

OK

- 2 Check wireharness and connector between luggage opener motor and rear J/B ECU (See page N-30).

NG

Repair or replace wireharness or connector.

OK

Proceed to next circuit inspection shown on problem symptoms table (See page DI-665).