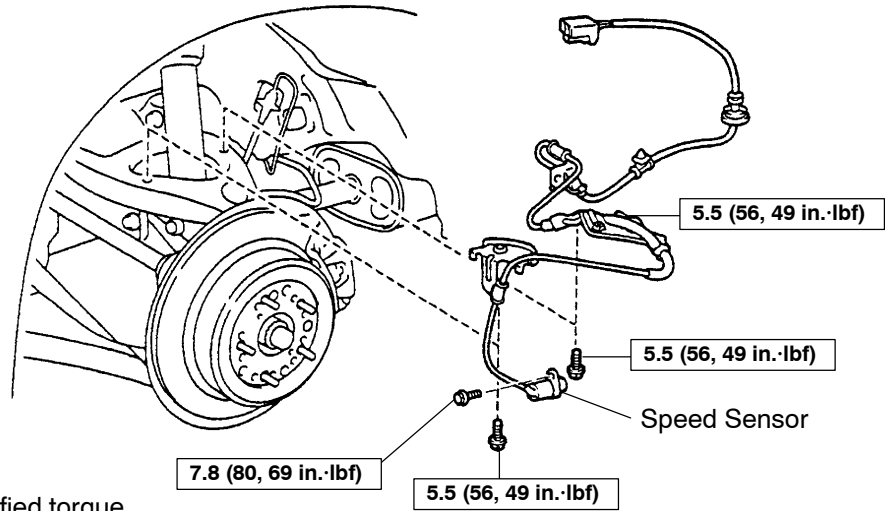
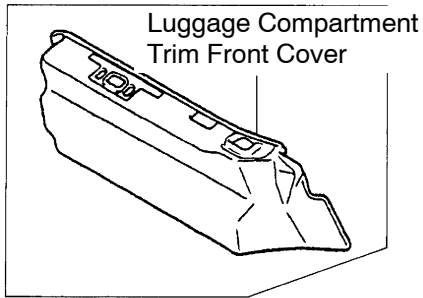


# REAR SPEED SENSOR COMPONENTS

BR0D5-02



N·m (kgf·cm, ft·lbf) : Specified torque

N

F07534