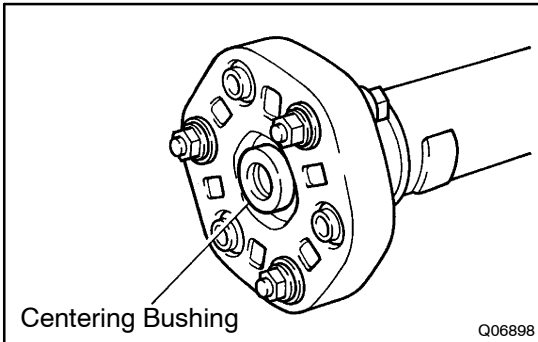


## INSPECTION

### 1. INSPECT CENTER SUPPORT BEARING

- (a) Check for cracks in or damage to the cushion.
- (b) Check if the bearing turns smoothly.

If the center support bearing is damaged, worn or does not turn smoothly, replace it.



### 2. INSPECT FLEXIBLE COUPLINGS

Check for cracks in or damage to the front and rear flexible couplings.

If the flexible coupling is damaged, replace the propeller shaft assembly.

### 3. INSPECT FLEXIBLE COUPLING CENTERING BUSHING

Check for damage to the bushing.

If the bushing is damaged, replace the propeller shaft assembly.