

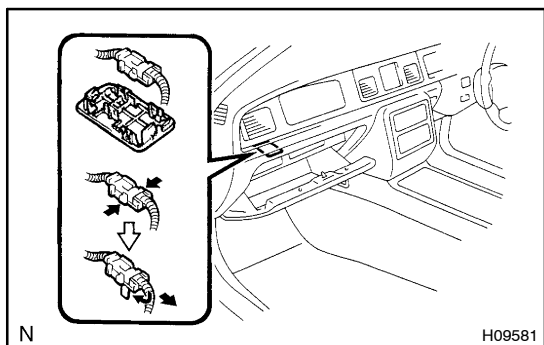
REMOVAL

NOTICE:

- If the wiring connector of the SRS is disconnected and the ignition switch is in ON or ACC position, DTCs will be recorded.
- Never use the airbag parts from another vehicle. When replacing parts, replace them with new parts.

HINT:

For step 2 to 5, refer to page BO-96.



1. DISCONNECT AIRBAG CONNECTOR

- Remove the glove compartment door finish plate inside the glove compartment door assembly.

NOTICE:

When handling the airbag connector, take care not to damage the airbag wire harness.

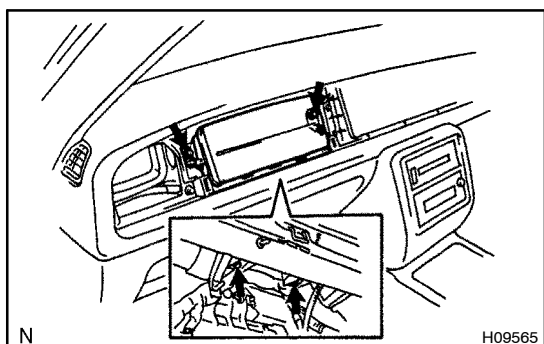
- Pull up the connector.
- Disconnect the front passenger airbag connector.

2. REMOVE NO.2 UNDER COVER

3. REMOVE GLOVE COMPARTMENT DOOR

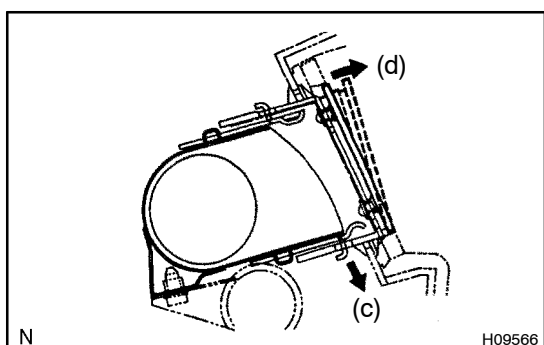
4. REMOVE DISC PLAYER ASSEMBLY

5. REMOVE CLUSTER FINISH PANEL ASSEMBLY



6. REMOVE FRONT PASSENGER AIRBAG ASSEMBLY

- Remove the 2 bolts holding the front passenger airbag assembly and instrument panel.
- Remove the 2 bolts holding the front passenger airbag assembly and instrument panel reinforcement.



- Slide down the front passenger airbag assembly and pull it toward you to release the upper hook.
- Release the lower hook, then remove the front passenger airbag assembly from the instrument panel.

CAUTION:

- Do not store the front passenger airbag assembly with the airbag deployment side facing downward.
- Never disassemble the front passenger airbag assembly.