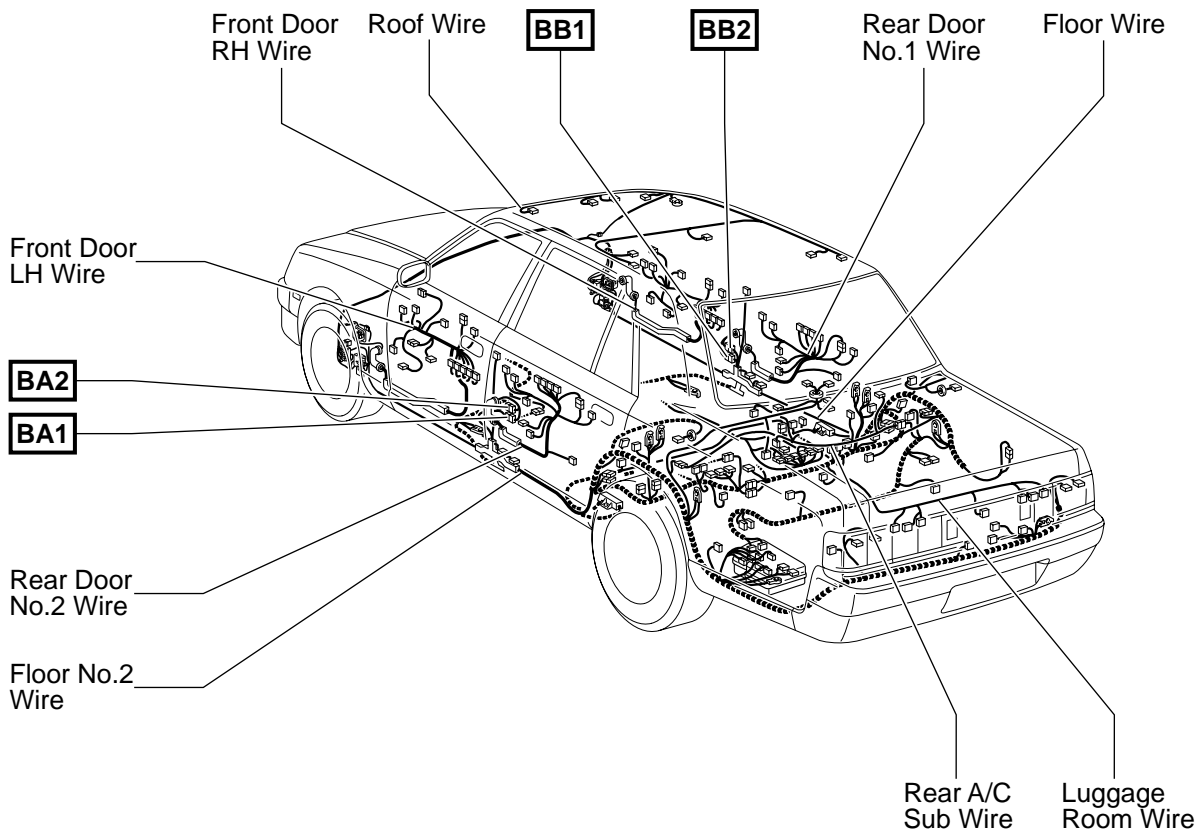


# G ELECTRICAL WIRING ROUTING

**□ : Location of Connector Joining Wire Harness and Wire Harness**

[RHD]



**▽ : Location of Ground Points**

