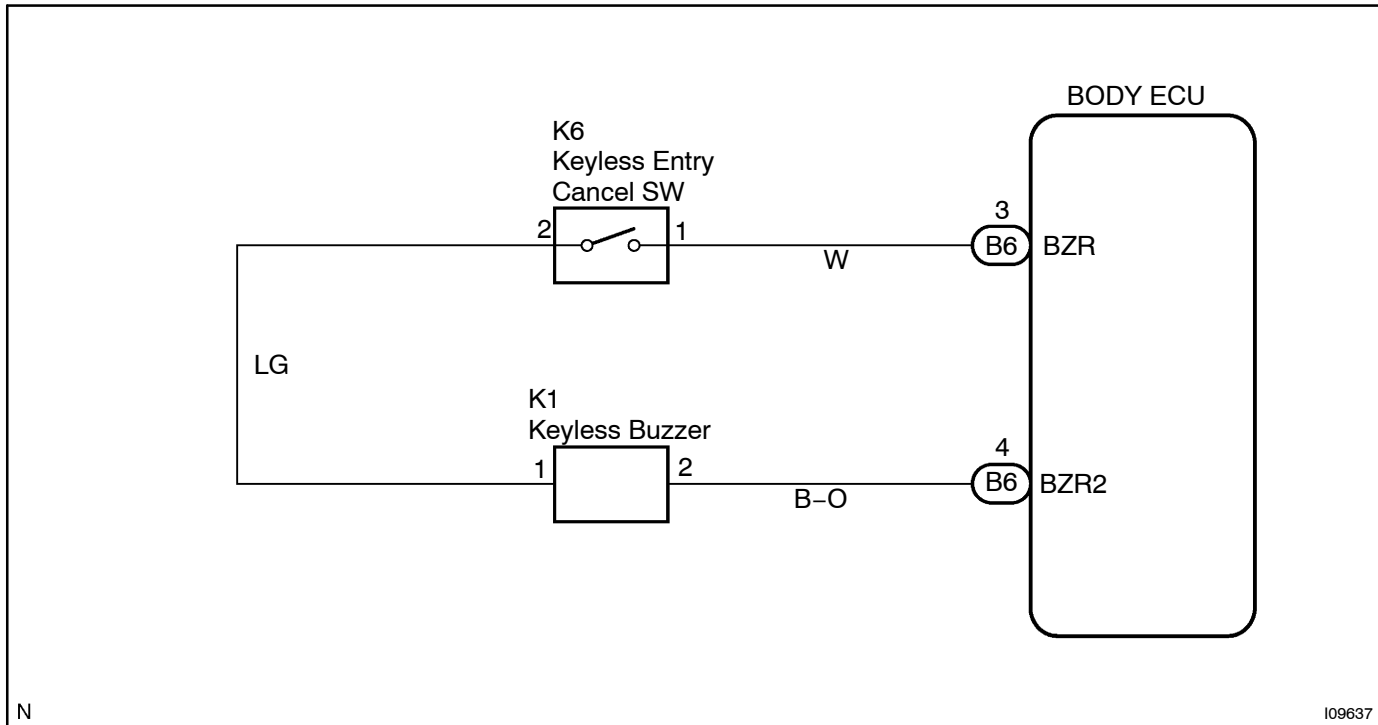


Wireless door lock buzzer circuit

WIRING DIAGRAM



N

I09637

INSPECTION PROCEDURE

HINT:

In case of using the hand-held tester, start the inspection from step 1 and in case of not using the hand-held tester, start from step 2.

1 Check wireless door lock buzzer using hand-held tester.

PREPARATION:

Connect the hand-held tester to the DLC3.

CHECK:

Check that the wireless door lock buzzer can be operated in an ACTIVE TEST.

OK:

The wireless door lock buzzer should sound.

OK

Proceed to next circuit inspection shown on problem/symptoms table. (See page DI-488)

NG

2 Check wireless door lock buzzer. (See page BE-100)

NG

Replace the wireless door lock buzzer.

OK

3 Check wireless door lock buzzer switch. (See page BE-100)

NG

Replace the wireless door lock buzzer switch.

OK

4 Check wireharness and connector between wireless door lock buzzer and Body ECU, Body ECU and wireless door lock switch, wireless door lock buzzer switch and wireless door lock buzzer (See page N-30).

NG

Repair or replace wireharness or connector.

OK

Proceed to next circuit inspection shown on problem symptoms table (See page DI-488).