

## REMOVAL

At the time of removal, please pay attention to the following item.

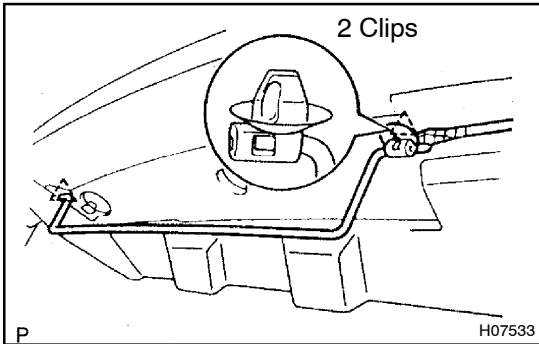
### 1. REMOVE LUGGAGE COMPARTMENT LIGHT

- (a) Using a screwdriver, remove the luggage compartment light.

HINT:

Tape the screwdriver tip before use.

- (b) Disconnect the connector.



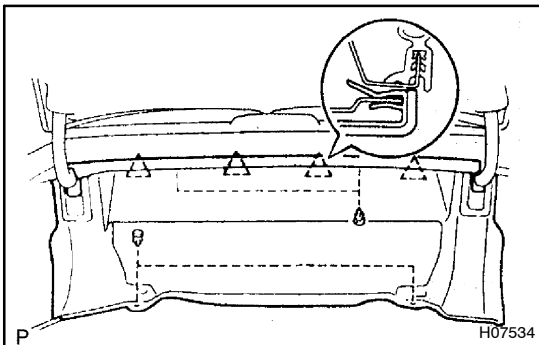
### 2. REMOVE CLEANING CLOTH HUNGER

- (a) Using a screwdriver, remove the cleaning cloth hunger.

HINT:

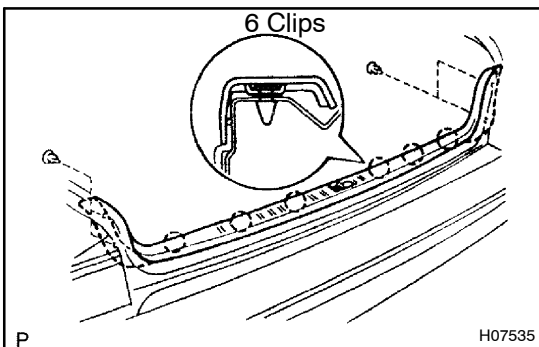
Tape the screwdriver tip before use.

- (b) Employ the same manner described above to the other side.



### 3. REMOVE LUGGAGE COMPARTMENT TRIM FRONT COVER

- (a) Using a clip remover, remove the 4 clips.
- (b) Remove the luggage compartment trim front cover.

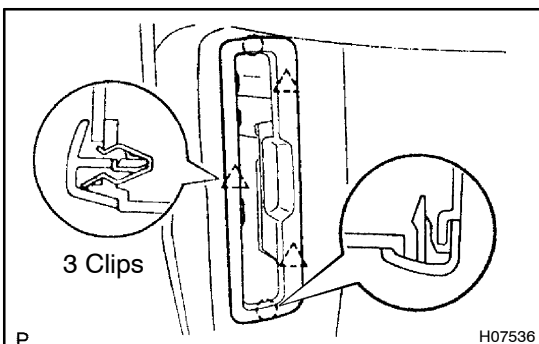


### 4. REMOVE LUGGAGE COMPARTMENT DOOR STRIKER COVER

- (a) Using a clip remover, remove the 4 clips.
- (b) Using a screwdriver, remove the luggage compartment door striker cover.

HINT:

Tape the screwdriver tip before use.

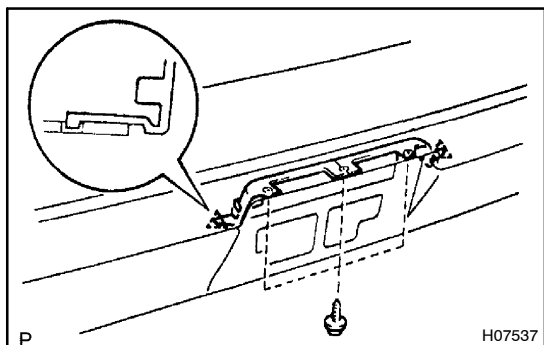


### 5. REMOVE SIDE TRIM TOOL BAG COVER

Using a screwdriver, remove the side trim bag cover.

HINT:

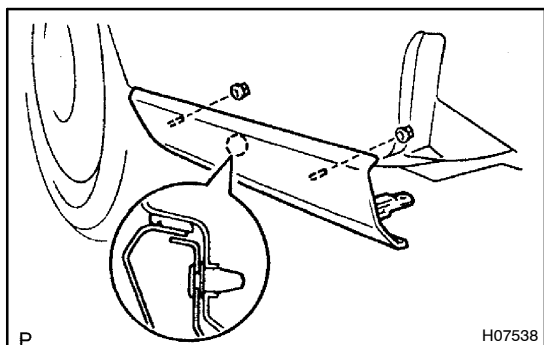
Tape the screwdriver tip before use.

**6. REMOVE REAR BUMPER PLATES**

- (a) Remove the 3 screws.
- (b) Remove the rear bumper plates.

**NOTICE:**

**First remove the one on right-hand side and then the left-hand side.**

**7. REMOVE REAR BUMPER EXTENSION**

- (a) Remove the 2 nuts.
- (b) Remove the rear bumper extension.
- (c) Employ the same manner described above to the other side.