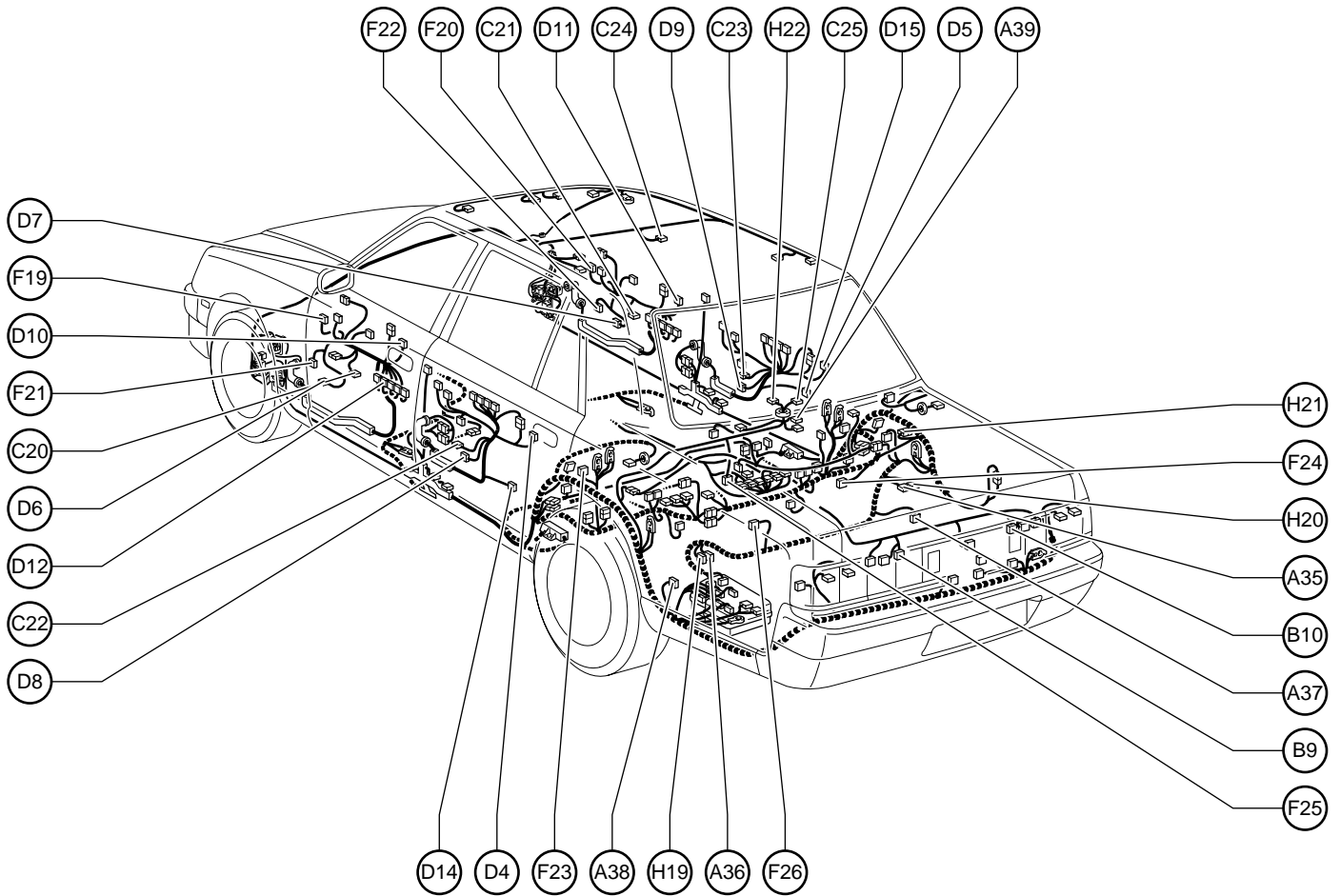


G ELECTRICAL WIRING ROUTING

Position of Parts in Body

[RHD]



A35 ABS Speed Sensor and Pad Wear Indicator Rear RH
 A36 ABS Speed Sensor Rear LH
 A37 Acceleration Sensor
 A38 Auto Antenna Motor and Relay
 A39 Automatic Curtain Control Relay

B 9 Back-Up Light LH
 B10 Back-Up Light RH

C20 Cigarette Lighter Front LH
 C21 Cigarette Lighter Front RH
 C22 Cigarette Lighter Rear LH
 C23 Cigarette Lighter Rear RH
 C24 Clock (Rear)
 C25 Curtain Motor

D 4 Door Closer Relay Rear LH
 D 5 Door Closer Relay Rear RH
 D 6 Door Courtesy Light Front LH
 D 7 Door Courtesy Light Front RH
 D 8 Door Courtesy Light Rear LH
 D 9 Door Courtesy Light Rear RH
 D10 Door Key Lock and Unlock SW, Door Unlock Detection SW, Door Courtesy SW and Door Lock Motor Front LH

D 11 Door Key Lock and Unlock SW, Door Unlock Detection SW, Door Courtesy SW and Door Lock Motor Front RH
 D12 Door Lock Control SW LH
 D14 Door Lock Motor and Door Unlock Detection SW Rear LH
 D15 Door Lock Motor and Door Unlock Detection SW Rear RH

F 19 Front Door LH ECU
 F 20 Front Door RH ECU
 F 21 Front Door Speaker LH
 F 22 Front Door Speaker RH
 F 23 Front Seat Heater Control Relay
 F 24 Fuel Lid Opener Solenoid
 F 25 Fuel Pump
 F 26 Fuel Sender

H19 Height Control Sensor Rear LH
 H20 Height Control Sensor Rear RH
 H21 Height Control Solenoid Valve (Rear)
 H22 High Mounted Stop Light