

DISASSEMBLY

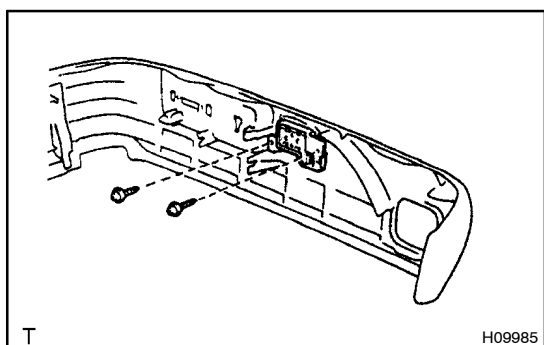
1. REMOVE FRONT SEAT CUSHION SHIELD

- (a) Using a screwdriver, remove the power seat switch knobs.

HINT:

Tape the screwdriver tip before use.

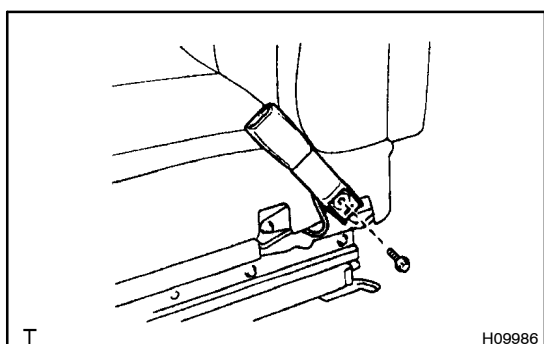
- (b) Remove the 6 screws and cushion shield, then disconnect the connector.



2. w/ Lumber support:

REMOVE LUMBER SUPPORT SWITCH

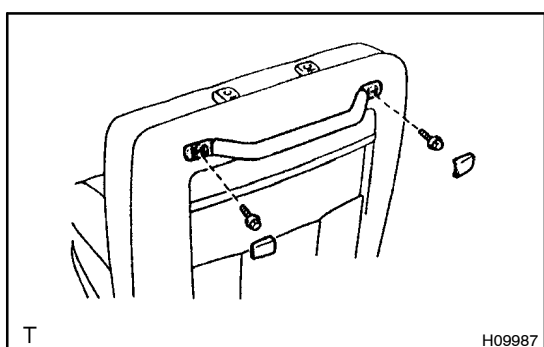
Remove the 2 screws and switch.



3. REMOVE FRONT SEAT INNER BELT

Remove the bolt and front seat inner belt.

4. REMOVE HEADREST



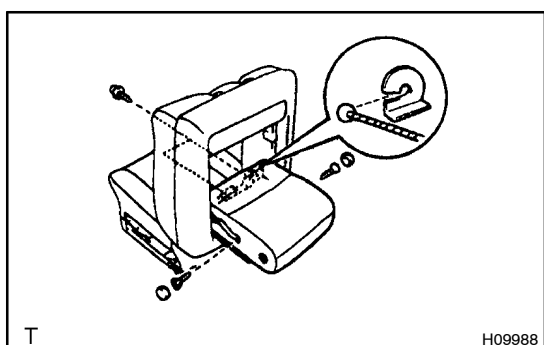
5. REMOVE REAR ASSIST GRIP

- (a) Using a screwdriver, remove the 2 plugs.

HINT:

Tape the screwdriver tip before use.

- (b) Remove the 2 bolts and assist grip.



6. RH passenger's side:

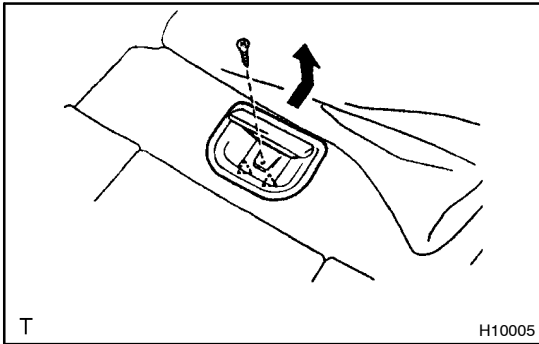
REMOVE FRONT SEAT FOOT REST

- (a) Using a screwdriver, remove the 2 hinge covers.

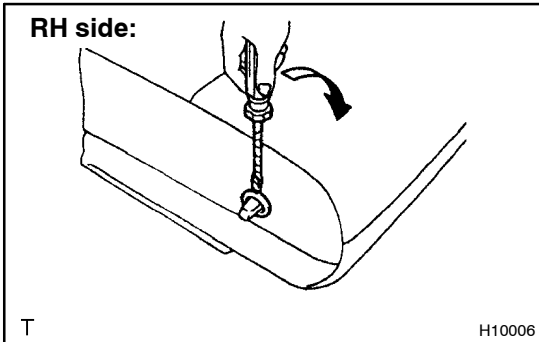
HINT:

Tape the screwdriver tip before use.

- (b) Remove the 4 bolts and front seat foot rest, then disconnect the control cable.



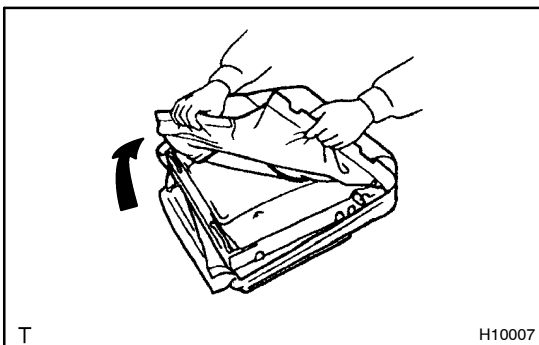
- (c) Remove the screw and seatback lock cover as shown in the illustration.



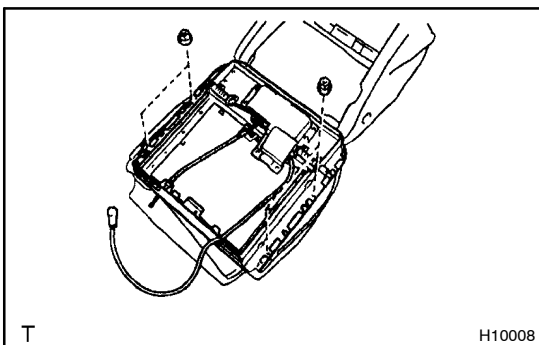
- (d) Using a screwdriver, remove the seatback protector shaft bushings.

HINT:

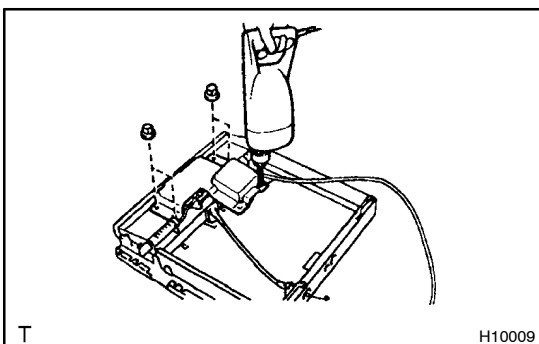
Tape the screwdriver tip before use.



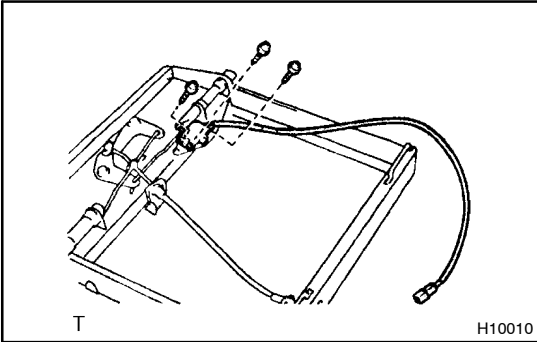
- (e) Remove the center seatback cover as shown in the illustration.



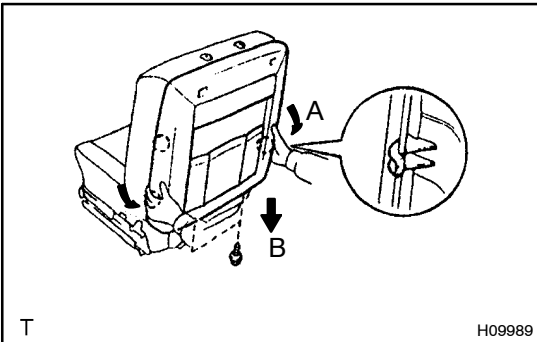
- (f) Remove the 4 nuts and front seatback foot rest frame.



- (g) Remove the seatback lock holder.
 (1) Using a drill, remove the 2 rivets.
 (2) Remove the 4 nuts.



(h) Remove the 3 screws and limit switch.

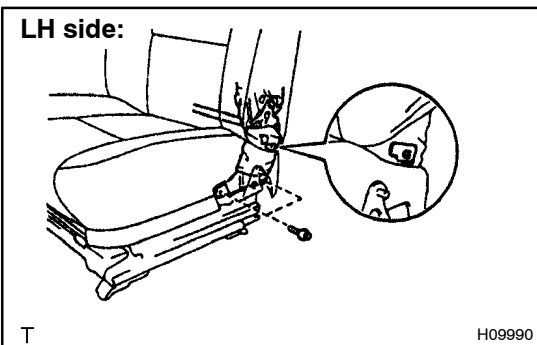


7. REMOVE FRONT SEATBACK BOARD

Remove the 2 screws and front seatback board as shown in the illustration.

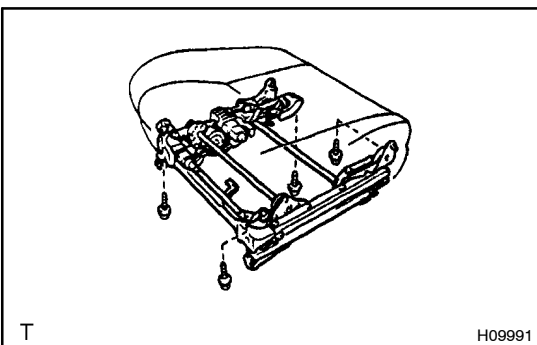
HINT:

Remove the seatback board in order A, B as shown in the illustration.



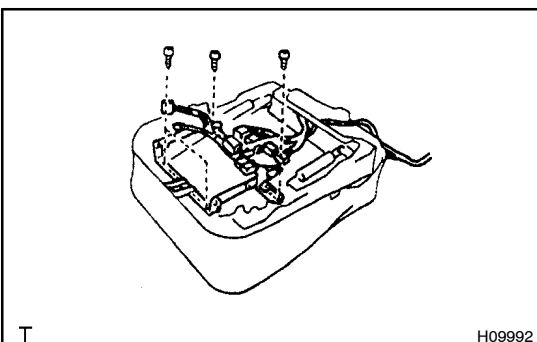
8. REMOVE FRONT SEATBACK ASSEMBLY

Remove the 4 bolts and front seatback assembly.



9. REMOVE FRONT SEAT CUSHION ASSEMBLY

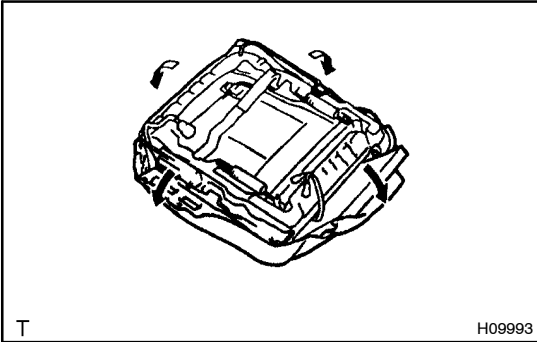
Remove the 4 bolts and front seat cushion assembly.



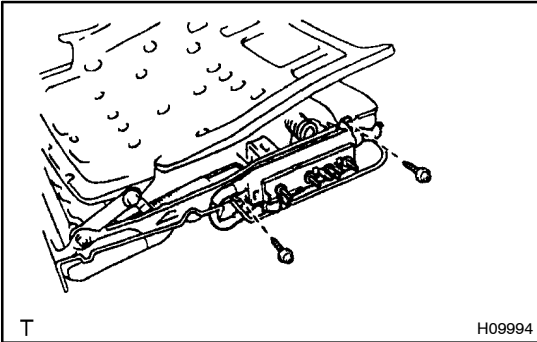
10. LH seat only:

REMOVE FRONT SEAT TRAY RAIL NO.2

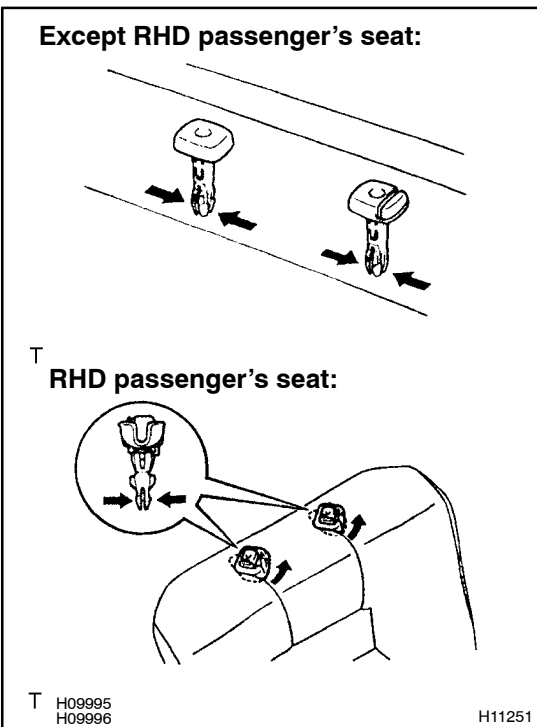
- (a) Remove the 4 bolts.
- (b) Remove the front seat tray rail No.2 and seat wire.

**11. REMOVE FRONT SEAT CUSHION FRAME**

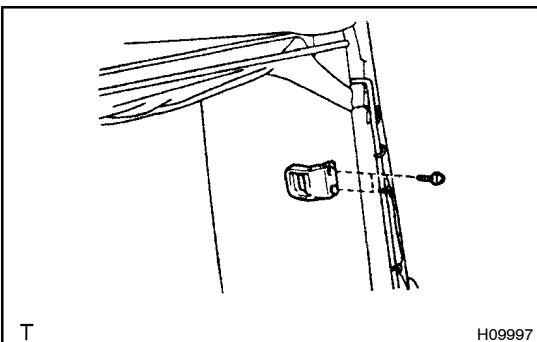
- (a) Disengage the front seat cushion cover as shown in the illustration.
- (b) Remove the front seat cushion frame.

12. REMOVE FRONT SEAT CUSHION COVER**13. REMOVE POWER SEAT SWITCH**

Remove the 2 screws and power seat switch.

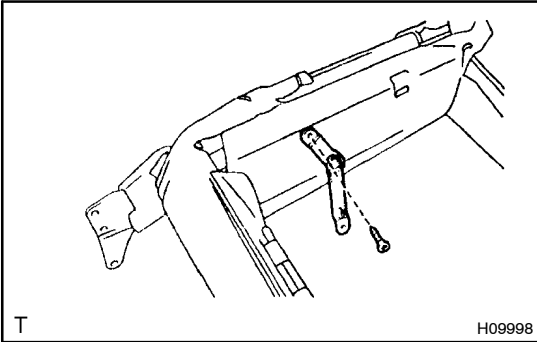
**14. REMOVE HEADREST SUPPORTS**

Remove the headrest supports as shown in the illustration.

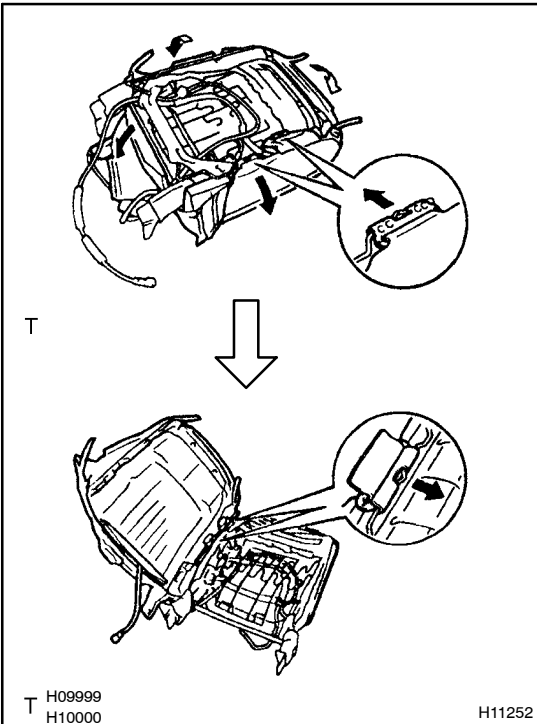
**15. RHD passenger's seat:****REMOVE SEATBACK LOCK STRIKER**

- (a) Remove the 2 screws and seatback lock striker.
- (b) Employ the same manner described above to the other side.

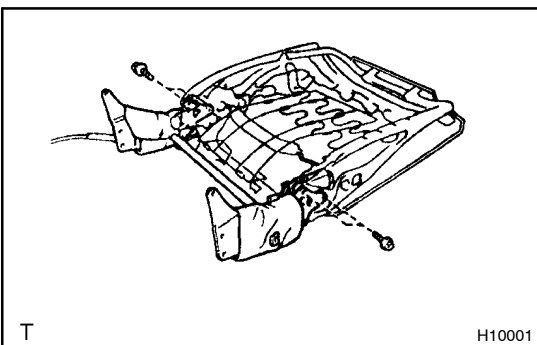
BODY - FRONT SEAT

**16. RHD passenger's seat:****REMOVE FRONT SEAT CENTER ARMREST LINK**

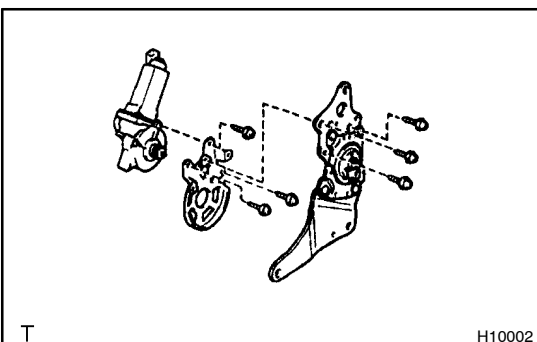
- (a) Remove the screw and link.
- (b) Employ the same manner described above to the other side.

**17. REMOVE FRONT SEATBACK FRAME**

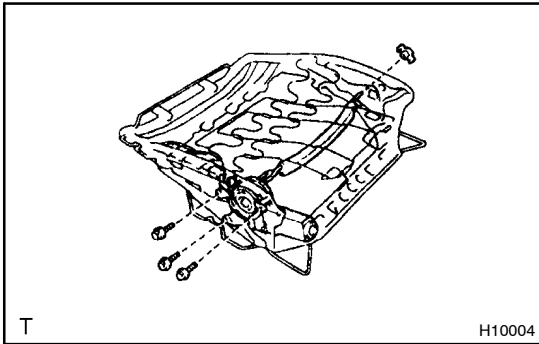
Disengage the hooks and remove the front seatback frame as shown in the illustration.

**18. REMOVE FRONT SEAT RECLINING ADJUSTERS**

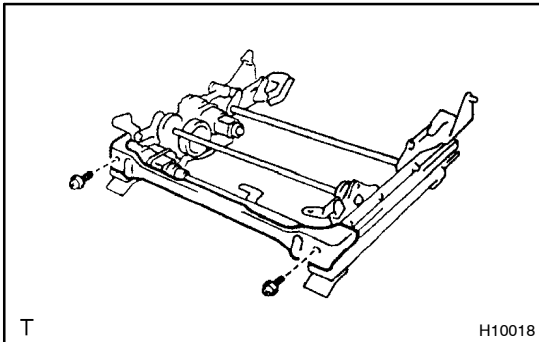
- (a) Remove the 4 bolts and reclining adjusters.
- (b) Remove the 2 seat fabrics from the reclining adjusters.
- (c) Remove the 2 bolts and reclining adjuster connecting rod and pipe.

**19. REMOVE POWER SEAT RECLINING MOTOR**

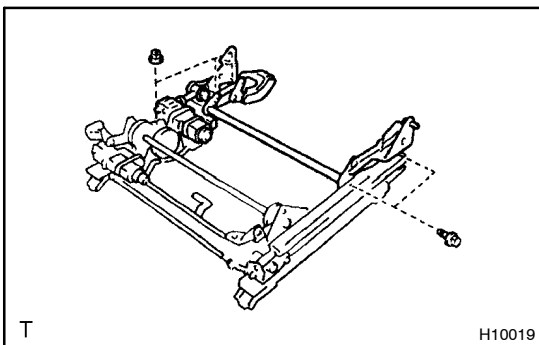
- (a) Remove the 3 screws and power seat reclining motor with bracket from the reclining adjuster.
- (b) Remove the 3 screws and power seat reclining motor from the bracket.

**20. w/ Lumbar support:****REMOVE LUMBER SUPPORT ASSEMBLY**

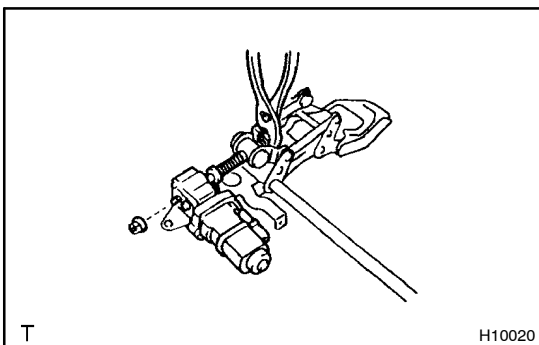
- (a) Remove the 3 bolts and lumbar support assembly.
- (b) Remove the lumbar support spacer.

**21. REMOVE FRONT POWER ADJUSTER SHIELD**

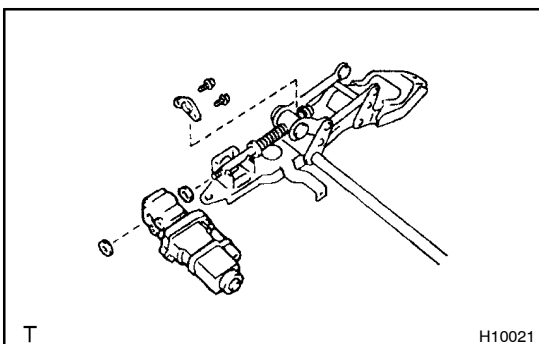
Remove the 2 screws and front power adjuster shield.

**22. REMOVE REAR VERTICAL ADJUSTER**

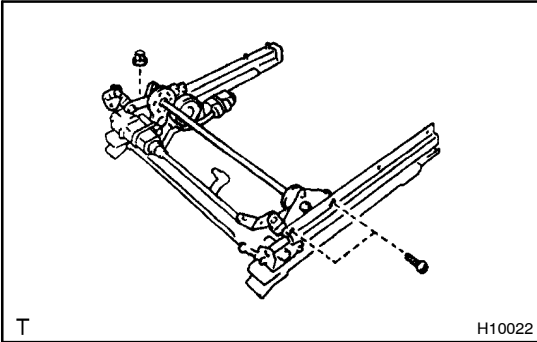
- (a) Remove the 2 bolts, 2 nuts and rear vertical adjuster.
- (b) Remove the bolt and inner seat track upper reinforcement from the rear vertical adjuster.

**23. REMOVE POWER SEAT REAR VERTICAL MOTOR**

- (a) Using pliers, hold the screw stopper to fix the rear vertical jack screw and remove the nut.



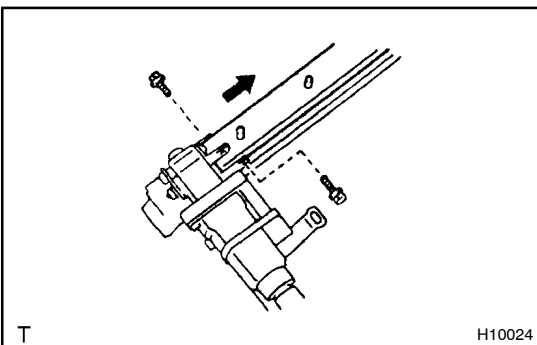
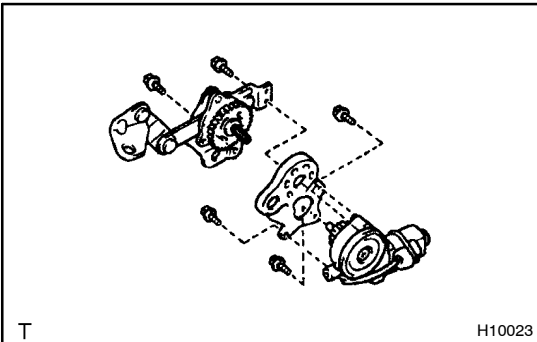
- (b) Remove the power seat rear vertical motor and 2 washers.
- (c) Remove the 2 screws and screw support bushing.

**24. REMOVE FRONT VERTICAL ADJUSTER ASSEMBLY**

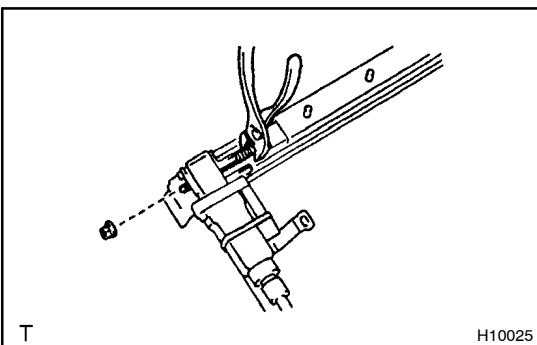
Remove the 2 bolts, nut and front vertical adjuster.

25. REMOVE POWER SEAT FRONT VERTICAL MOTOR

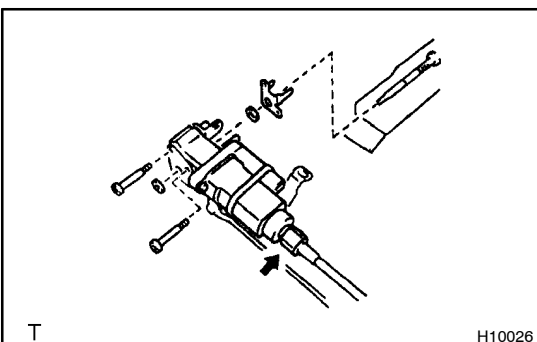
- (a) Remove the front vertical inner adjuster.
- (b) Remove the front vertical travel pipe.
- (c) Remove the 2 bolts and motor support bracket.
- (d) Remove the 2 bolts and front vertical outer adjuster.
- (e) Remove the 3 bolts and power seat front vertical motor.

**26. REMOVE POWER SEAT SLIDE MOTOR**

- (a) Remove the 2 bolts and slide the front seat outer track as shown in the illustration.



- (b) Using pliers, hold the horizontal jack screw and remove the nut.



- (c) Unfasten the plastic nut.
- (d) Remove the front seat outer and inner tracks from the power seat slide motor.
- (e) Remove the 2 screws, 2 washers and seat track No.1 bracket.