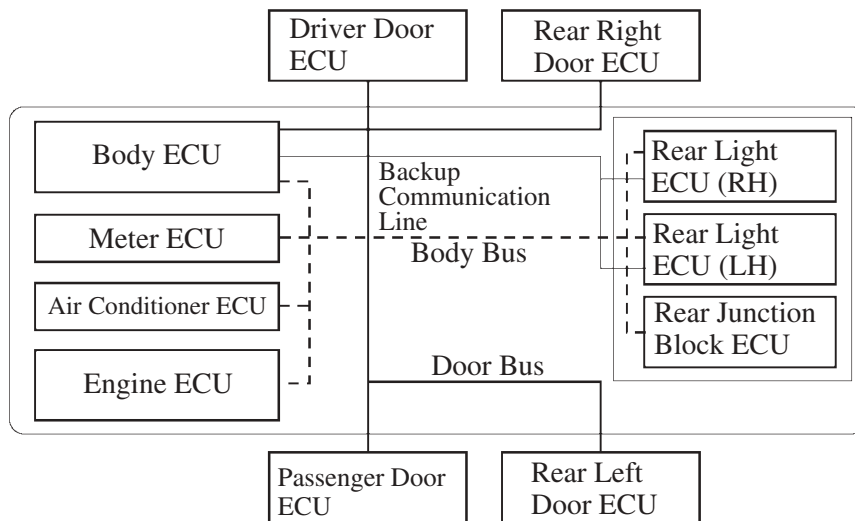


■ SYSTEM CONSTRUCTION

The ECUs that comprise the multiplex communication system are connected as shown in the diagram below.



RHD Model

162BE38