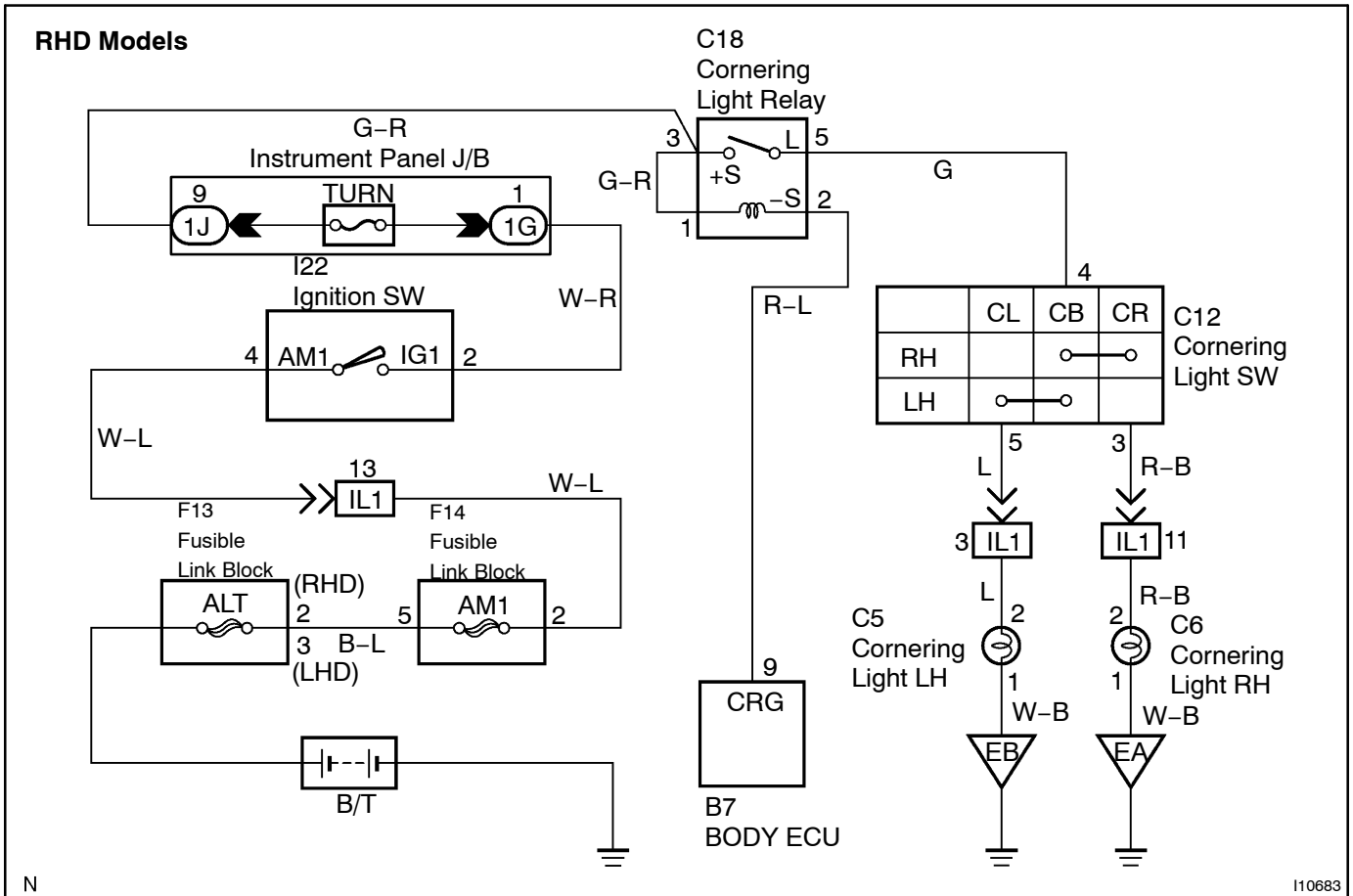


Cornering light relay circuit

WIRING DIAGRAM



N

I10683

INSPECTION PROCEDURE

1 Check cornering light relay (See page BE-36).

NG

Replace the cornering light relay.

OK

2 Check wire harness and connector between cornering light relay and Body ECU, battery and cornering light relay (See page IN-30).

NG

Repair or replace wire harness or connector.

OK

Proceed to next circuit inspection shown on problem symptoms table (See page DI-488).