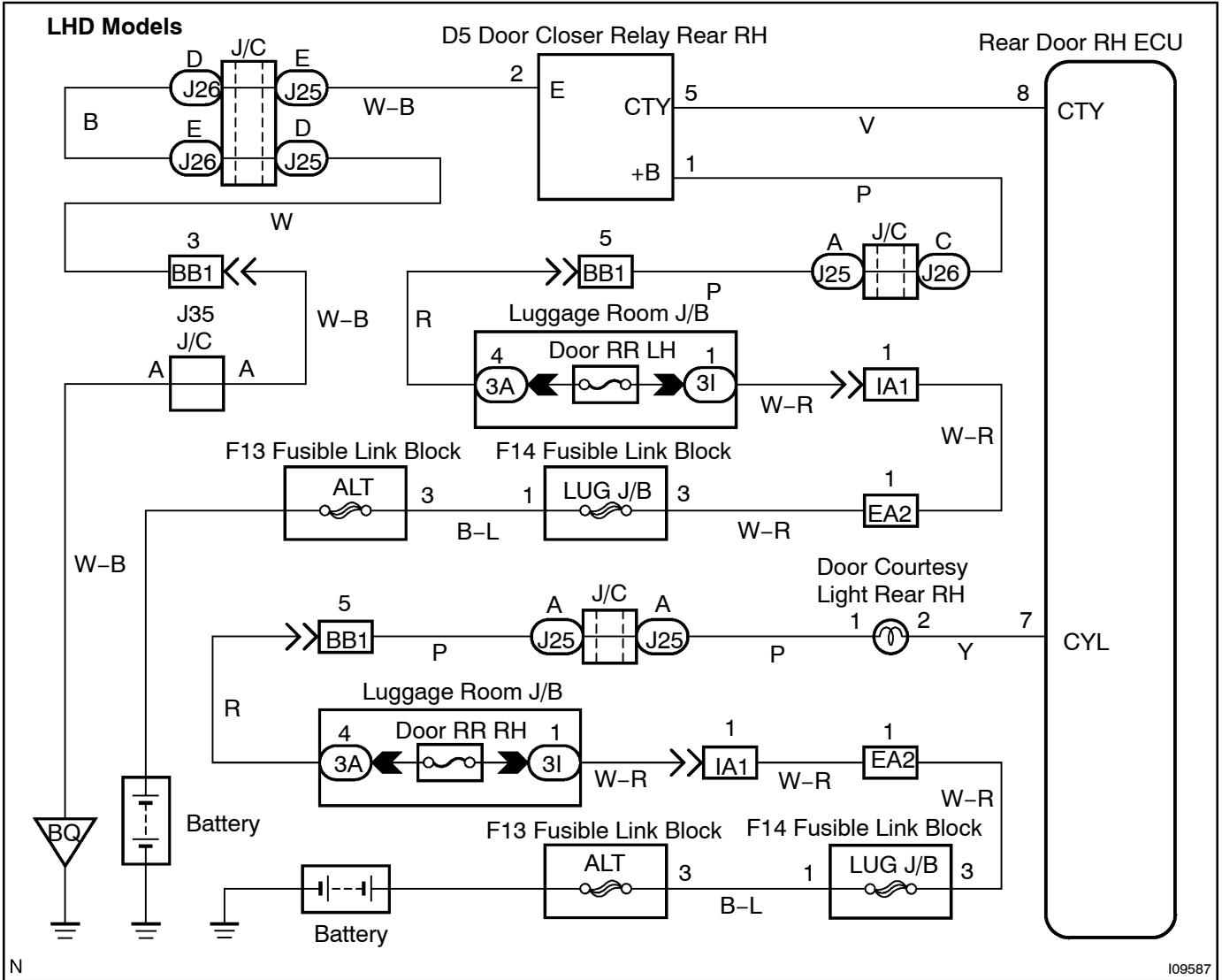


Door courtesy light and courtesy switch circuit

CIRCUIT DESCRIPTION

The door courtesy switch goes on when the door is opened and goes off when door is closed.

WIRING DIAGRAM



N

I09587

INSPECTION PROCEDURE

1 Check operation of door courtesy light.

CHECK:

Check that door courtesy light comes on when door opened, and goes off when door is closed.

OK:

Must be operated normally.

OK

Proceed to next circuit inspection shown on problem symptoms table (See page DI-639).

NG

2 Check courtesy light (See page BE-41).

NG

Replace the courtesy light.

OK

3 Check courtesy switch (See page BE-41).

NG

Replace the courtesy switch.

OK

4 Check wireharness and connector between courtesy light and rear right door ECU, courtesy switch and rear right door ECU (See page IN-30).

NG

Repair or replace wireharness or connector.

OK

Proceed to next circuit inspection shown on problem symptoms table (See page DI-639).