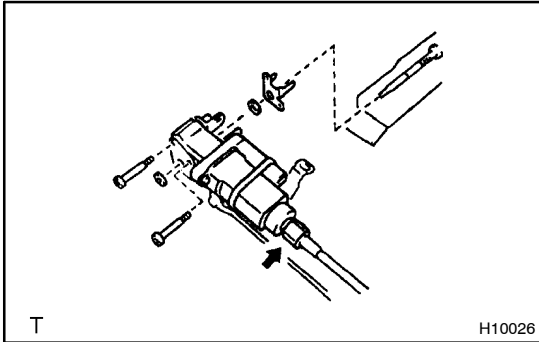


REASSEMBLY

NOTICE:

If the seatback frame with the side airbag assembly has been dropped, or there are cracks, dents or other defects in the case or connector of the side airbag assembly, replace the seatback frame assembly with a new one.



1. INSTALL POWER SEAT SLIDE MOTOR

- (a) Install the 2 screws, 2 washers and seat track No.1 bracket.

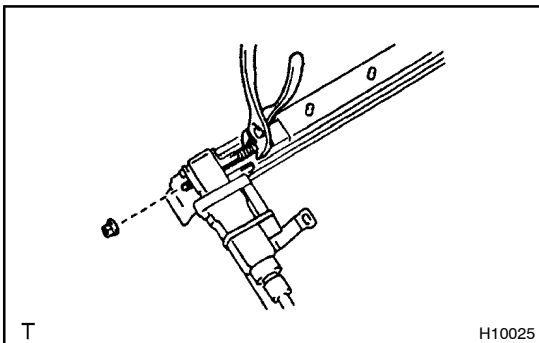
Torque: 4.9 N·m (50 kgf·cm, 43 in·lbf)

HINT:

Apply adhesive to the 2 screws.

Part No. 08833-00070, THREE BOND 1324 or equivalent

- (b) Install the front seat outer and inner tracks to the power seat slide motor.
 (c) Tighten the plastic nut.



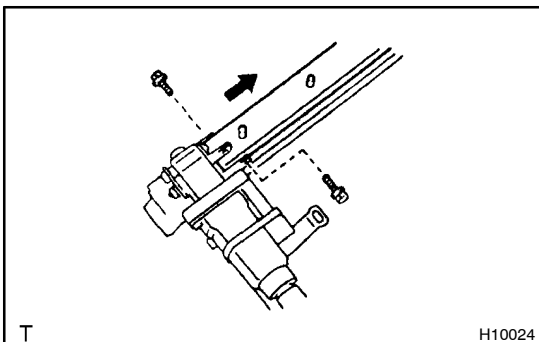
- (d) Using pliers, hold the horizontal jack screw and install the nut.

Torque: 4.9 N·m (50 kgf·cm, 43 in·lbf)

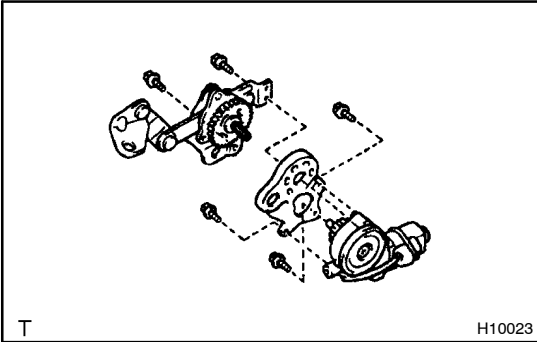
HINT:

Apply adhesive to the nut.

Part No. 08833-00070, THREE BOND 1324 or equivalent

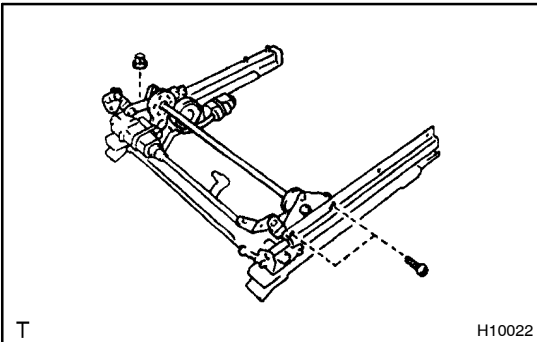


- (e) Slide the front seat outer track and install the 2 bolts as shown in the illustration.



2. INSTALL POWER SEAT FRONT VERTICAL MOTOR

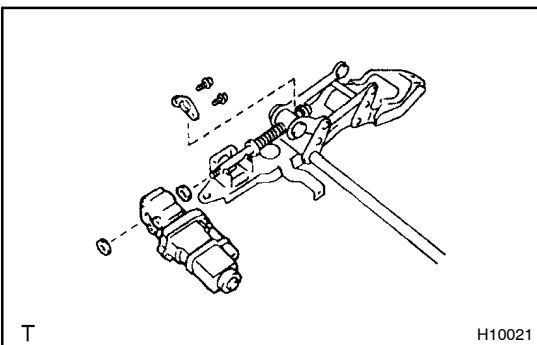
- Install the motor bracket with the 3 bolts.
- Install the front vertical outer adjuster with the 2 bolts.
- Install the motor support bracket with the 2 bolts.
- Install the front vertical travel pipe.



3. INSTALL FRONT VERTICAL ADJUSTER ASSEMBLY

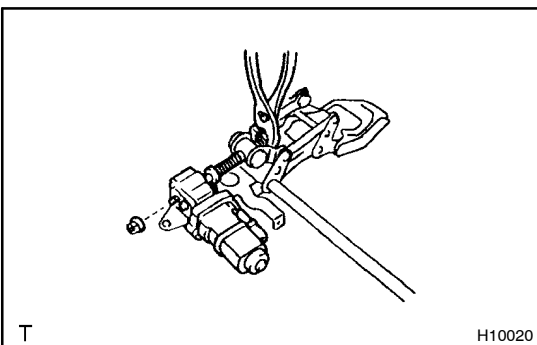
Install the front vertical adjuster assembly and front vertical inner adjuster with the 2 bolts and nut to the front seat track assembly.

Torque: 19 N·m (195 kgf·cm, 14 ft·lbf)



4. INSTALL POWER SEAT REAR VERTICAL MOTOR

- Install the screw support bushing with the 2 screws.
- Install the power seat rear vertical motor and 2 washers.



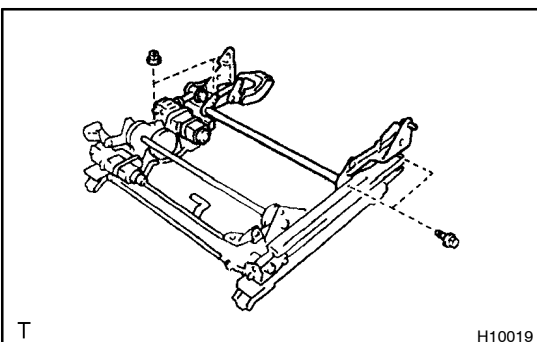
- Using pliers, hold the screws stopper to fix the rear vertical jack screw and install the nut.

Torque: 4.9 N·m (50 kgf·cm, 43 in·lbf)

HINT:

Apply adhesive to the nut.

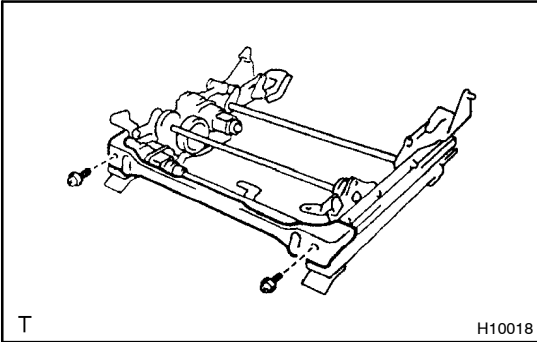
Part No. 08833-00070, THREE BOND 1324 or equivalent



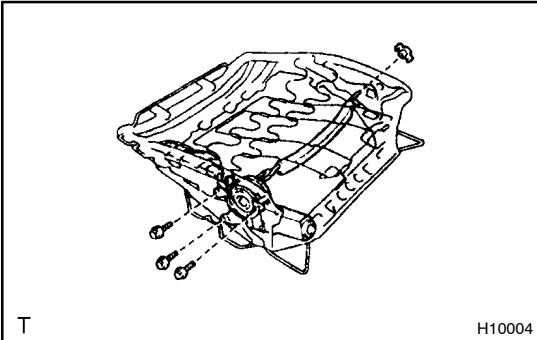
5. INSTALL REAR VERTICAL ADJUSTER

- Install the inner seat track upper reinforcement with the bolt to the rear vertical adjuster.
- Install the rear vertical adjuster with the 2 bolts and 2 nuts.

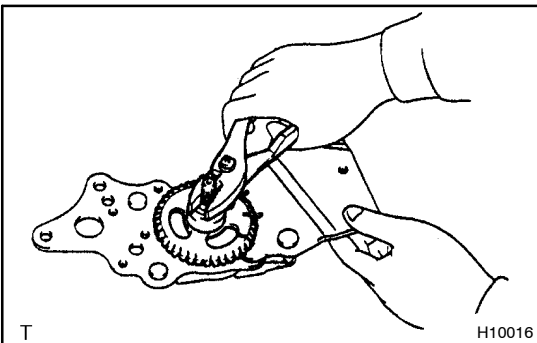
Torque: 19 N·m (195 kgf·cm, 14 ft·lbf)



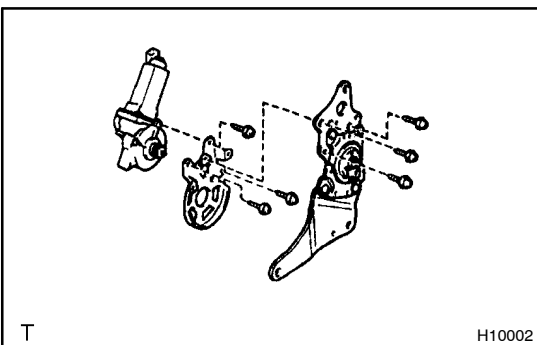
- 6. INSTALL FRONT POWER ADJUSTER SHIELD**
Install the front power adjuster shield with the 2 screws.



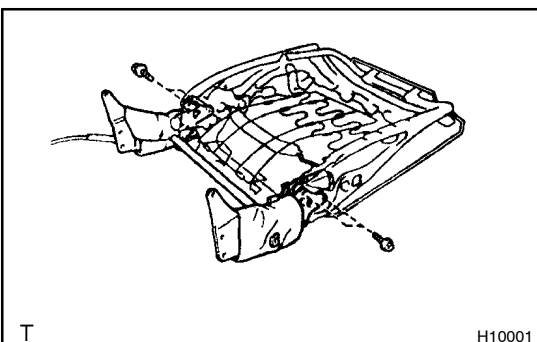
- 7. w/ Lumber support:
INSTALL LUMBER SUPPORT ASSEMBLY**
- Install the lumber support spacer.
 - Install the lumber support assembly with the 3 bolts.



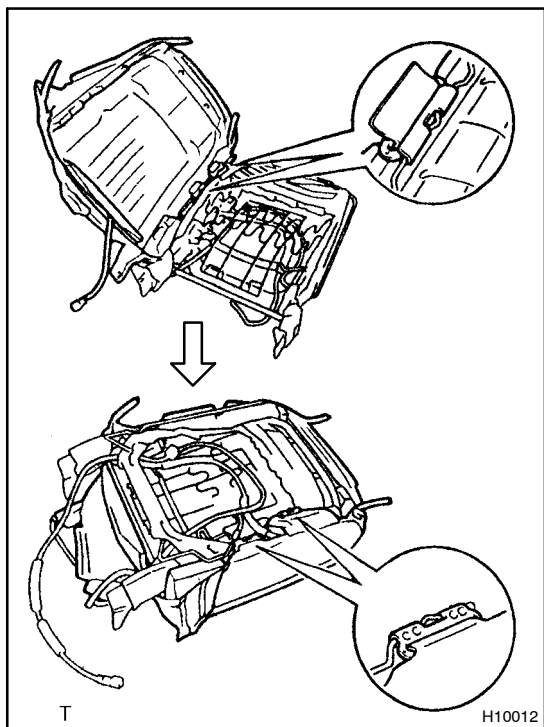
- 8. INSTALL POWER SEAT RECLINING MOTOR**
- Adjust the right and left reclining adjuster to the same angle as shown in the illustration.



- Install the motor bracket with the 3 screws to the power seat reclining motor.
- Install the power seat reclining motor with bracket with the 3 screws to the reclining adjuster.



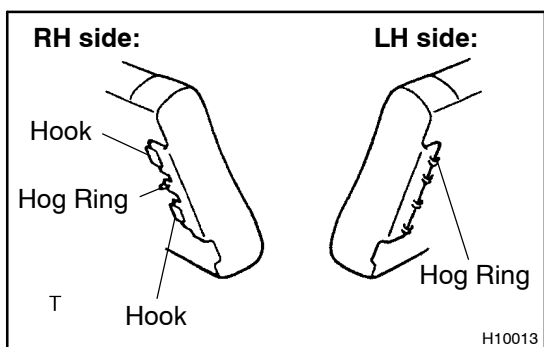
- 9. INSTALL FRONT SEAT RECLINING ADJUSTERS**
- Install the reclining adjuster connecting rod and pipe with the 2 bolts.
Torque: 7.8 N·m (80 kgf·cm, 69 in·lbf)
 - Install the 2 seat fabrics to the reclining adjusters.
 - Install the reclining adjusters with the 4 bolts.
Torque: 18 N·m (185 kgf·cm, 13 ft·lbf)

**10. INSTALL FRONT SEATBACK FRAME**

- (a) Install the seatback cover hooks to the frame as shown in the illustration.

NOTICE:

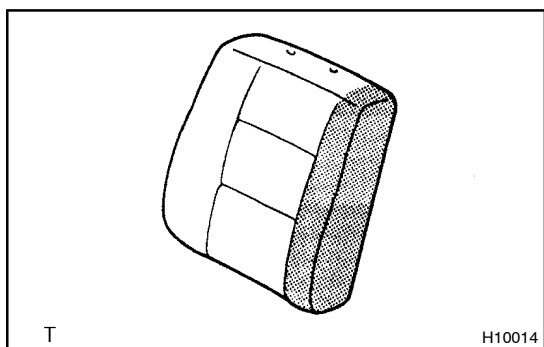
Check that hooks are attached firmly to the frame, otherwise, the airbag may not function correctly.



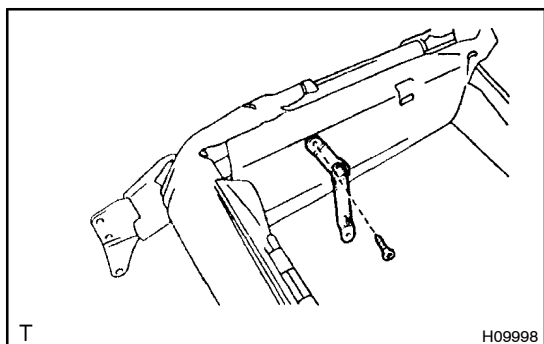
- (b) Install new hog rings at position as shown in the illustration.

HINT:

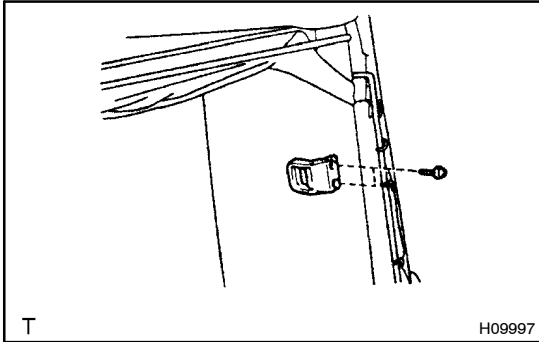
2 hog rings for only left side.

**NOTICE:**

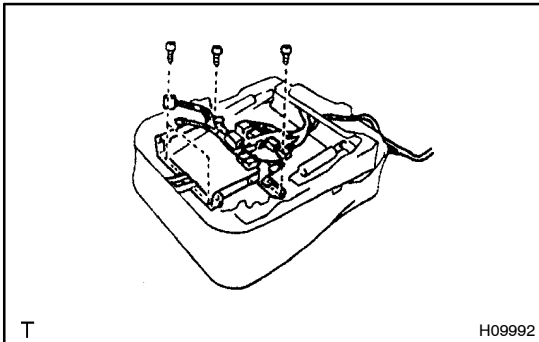
- If the vehicle outside seatback cover is broken or fray is found, replace the seatback cover. Otherwise, the side airbag may not function correctly.
- When the side airbag is expanded, replace the seatback cover, pad and frame.

**11. RHD passenger's seat:****INSTALL FRONT SEAT CENTER ARMREST LINK**

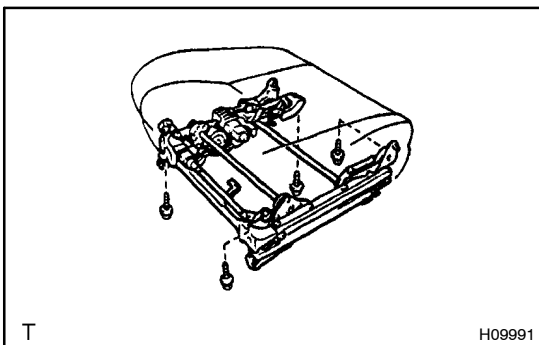
- (a) Install the front seat center armrest link with the screw.
 (b) Employ the same manner described above to the other side.

**12. RHD passenger's seat:****INSTALL SEATBACK LOCK STRIKER**

- (a) Install the seatback lock striker with the 2 screws.
- (b) Employ the same manner described above to the other side.

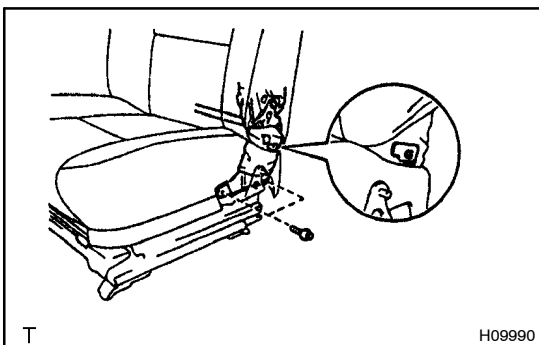
13. INSTALL HEADREST SUPPORTS**14. INSTALL POWER SEAT SWITCH****15. INSTALL FRONT SEAT CUSHION COVER****16. INSTALL FRONT SEAT CUSHION FRAME****17. LH Seat only:****INSTALL FRONT SEAT TRAY RAIL NO.2**

Install the front seat tray rail No.2 and seat wire with the 4 bolts.

**18. INSTALL FRONT SEAT CUSHION ASSEMBLY**

Install the front seat cushion assembly with the 4 bolts to the seat adjuster.

Torque: 18 N·m (185 kgf·cm, 13 ft·lbf)

**19. INSTAL FRONT SEATBACK ASSEMBLY**

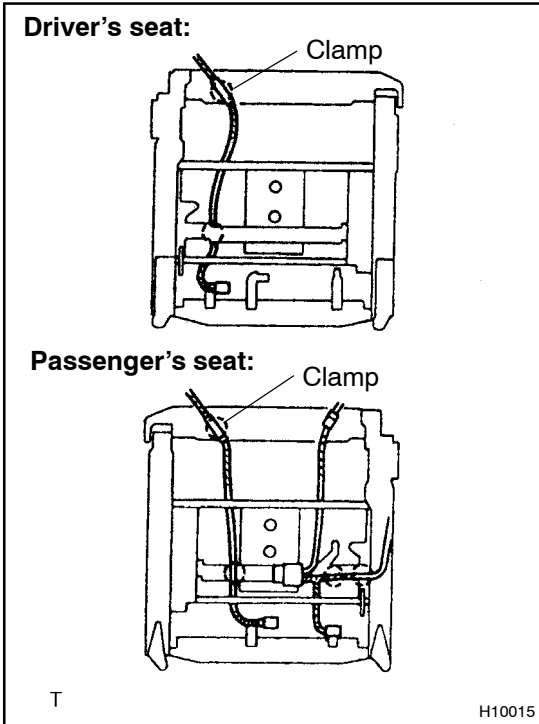
- (a) Install the front seatback assembly with the 4 bolts.

Torque: 18 N·m (185 kgf·cm, 13 ft·lbf)

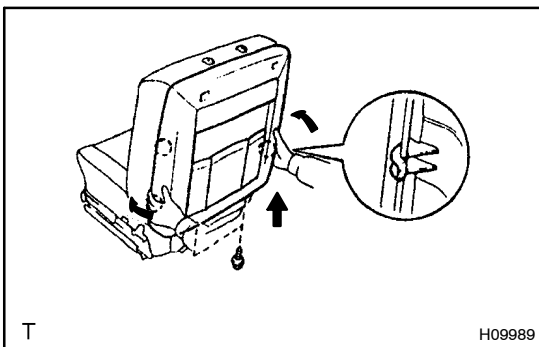
- (b) Route the side airbag wiring harness through the seat cushion hole.

NOTICE:

Check for entanglement.

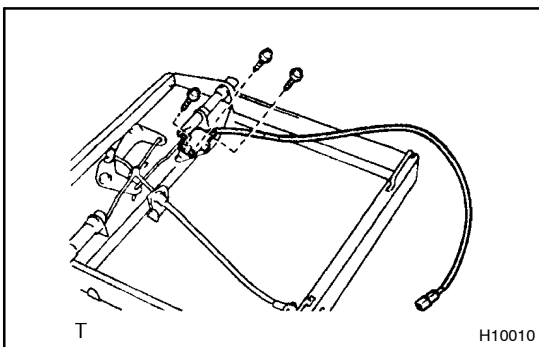


- (c) Attach the wire harness clamp for side airbag to the seat cushion frame.
- (d) Attach the wire harness clamp for side airbag to the bracket.



20. INSTALL FRONT SEATBACK BOARD

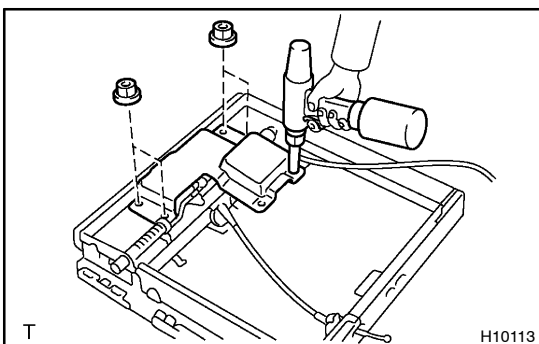
Install the front seatback board with the 2 screws as shown in the illustration.



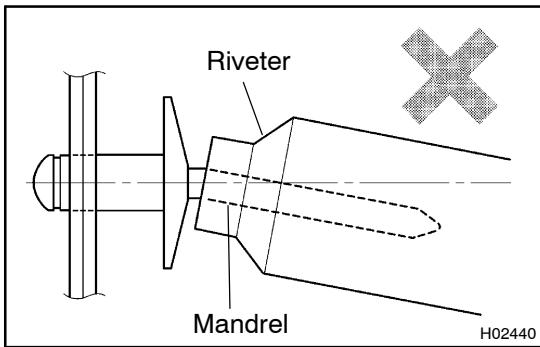
21. w/ Front seat foot rest:

INSTALL FRONT SEAT FOOT REST

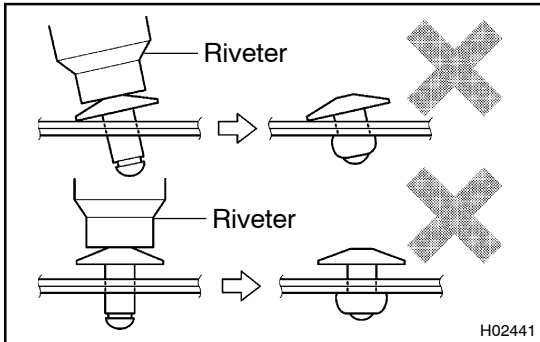
- (a) Install the limit switch with the 3 screws.



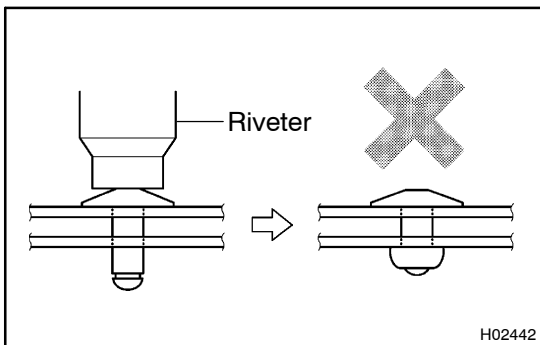
- (b) Install the seatback lock holder.
 - (1) Using an air riveter with nose piece No.1, install 2 new rivets.
 - (2) Install the 4 nuts.

**NOTICE:**

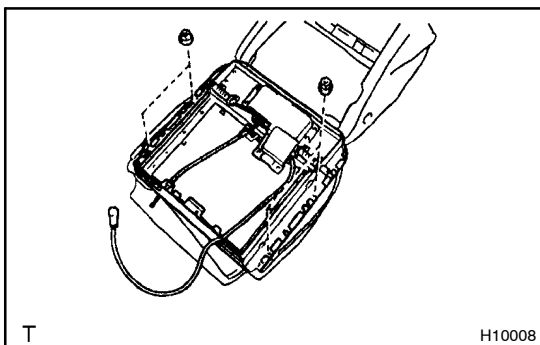
- **Do not prize a riveter, as riveter is damaged, it is not tightened and the mandrel is bent.**



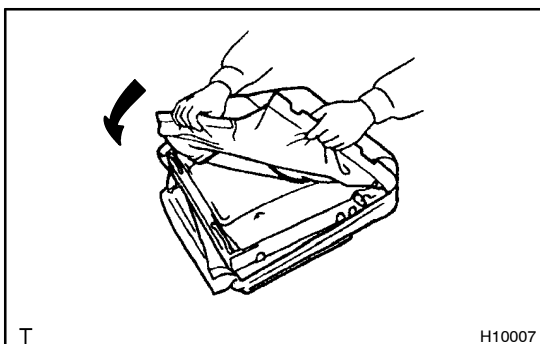
- **Do not tilt the riveter and disconnect the rivet from the material while handling a riveter, as the materials are not tightened firmly.**



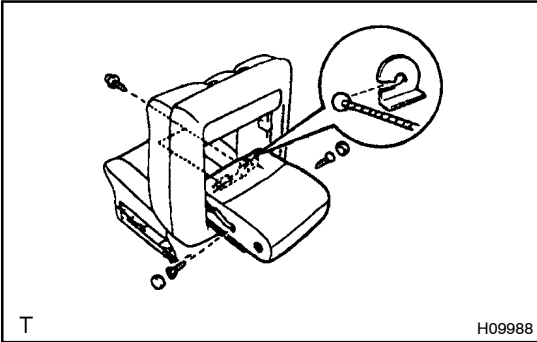
- **Install the rivet while attaching materials, as they are not tightened firmly.**



- (c) Install the front seatback foot rest frame with the 4 nuts.



- (d) Install the center seatback cover as shown in the illustration.
 (e) Install the seatback protector shaft bushings.
 (f) Install the seatback lock cover.



- (g) Install the front seat foot rest with the 4 bolts, then connect the control cable.
 - (h) Install the 2 hinge covers.
22. **INSTALL ASSIST GRIP**
 23. **INSTALL FRONT SEAT INNER BELT**
Torque: 41 N·m (420 kgf·cm, 31 ft·lbf)
 24. w/ Lumber support:
INSTALL LUMBER SUPPORT SWITCH
 25. **INSTALL FRONT SEAT CUSHION SHIELD**