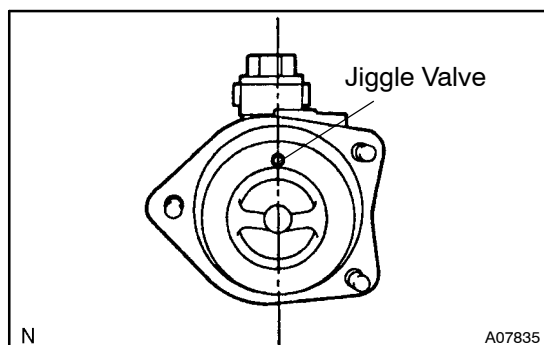


INSTALLATION

1. PLACE THERMOSTAT IN WATER INLET

- (a) Install a new gasket to the thermostat.



- (b) Position the jiggle valve of thermostat as shown in the illustration.

2. CONNECT WATER INLET

Connect the water inlet with the 3 nuts.

Torque: 19 N·m (195 kgf·cm, 14 ft·lbf)

3. FILL WITH ENGINE COOLANT

4. START ENGINE AND CHECK FOR COOLANT LEAKS