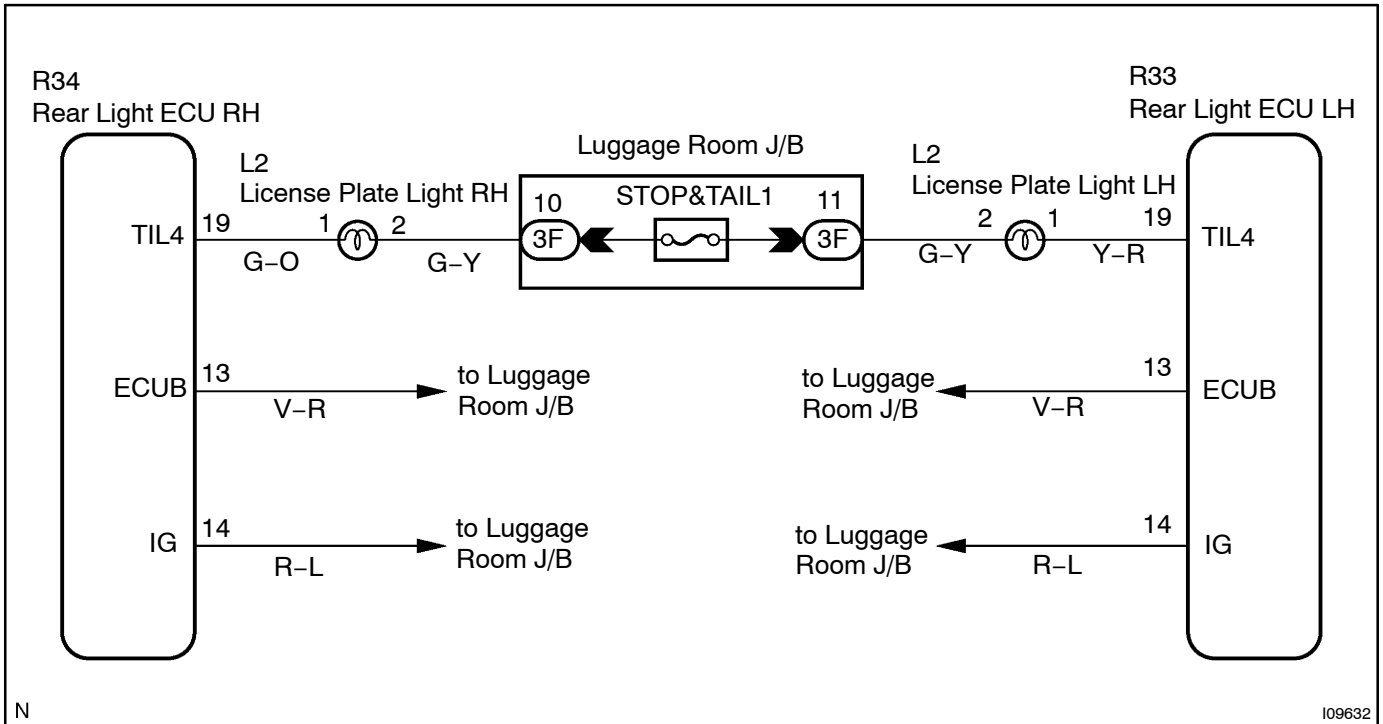


Licence plate light circuit

CIRCUIT DESCRIPTION

Receiving the light control switch TAIL signal from either of the door ECU, the body No.2 ECU will make the interior light, ignition light, and foot light come on.

WIRING DIAGRAM



INSPECTION PROCEDURE

1 Check licence plate light (See page BE-2).

NG

Replace the failure light.

OK

2 Check wireharness and connector between each licence plate light and rear light ECU, battery and each licence plate light (See page N-30).

NG

Repair or replace wireharness or connector.

OK

Proceed to next circuit inspection shown on problem symptoms table (See page DI-693).