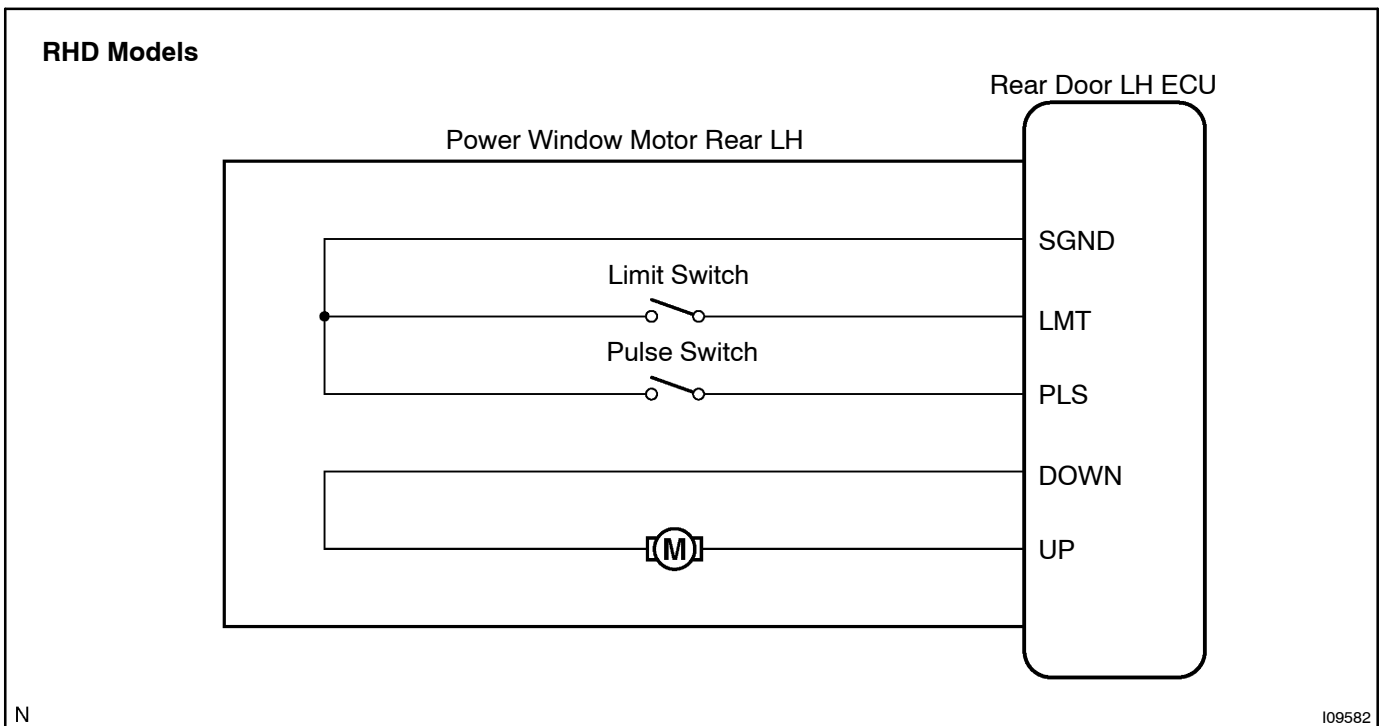
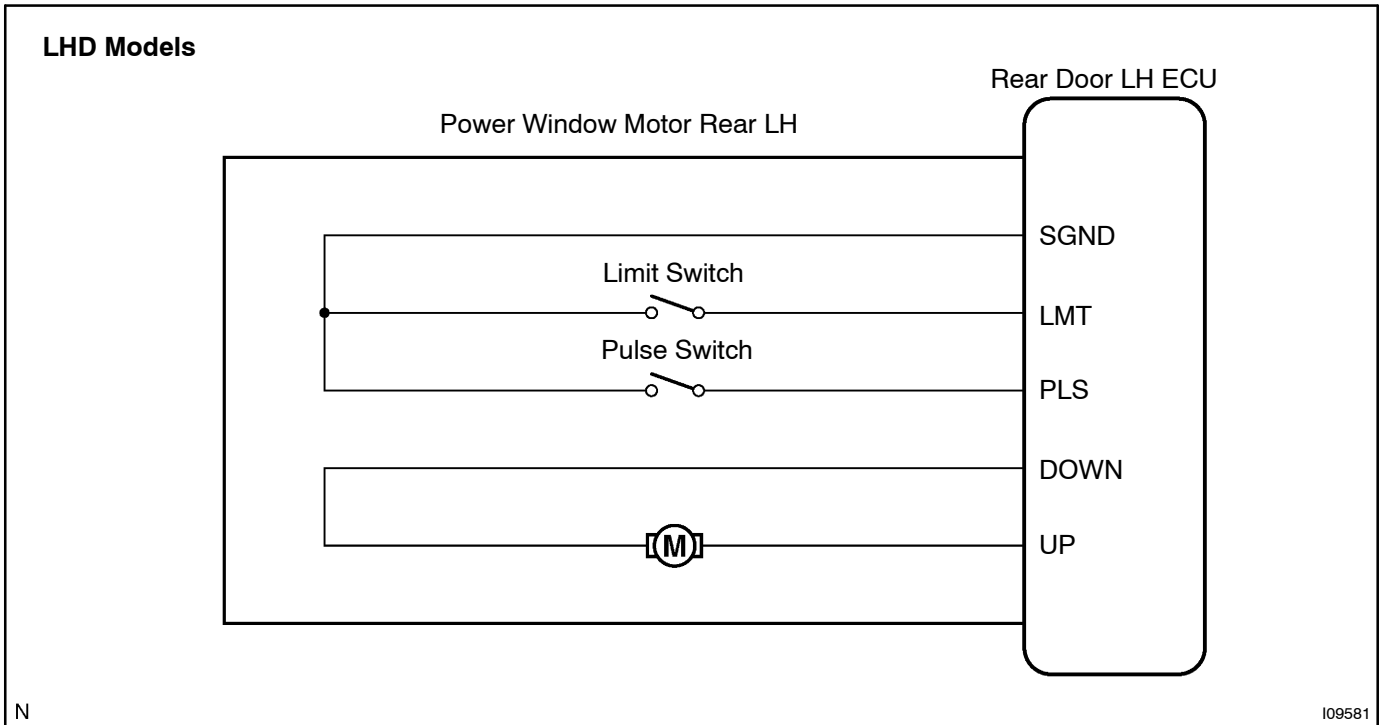


Power window motor circuit

WIRING DIAGRAM



INSPECTION PROCEDURE

1 Check power window motor (See page BE-87).

NG

Replace the power window motor.

OK

2 Check wireharness and connector between power window motor and rear door LH ECU (See page N-30).

NG

Repair or replace wireharness or connector.

OK

Proceed to next circuit inspection shown on problem symptoms table (See page DI-614).