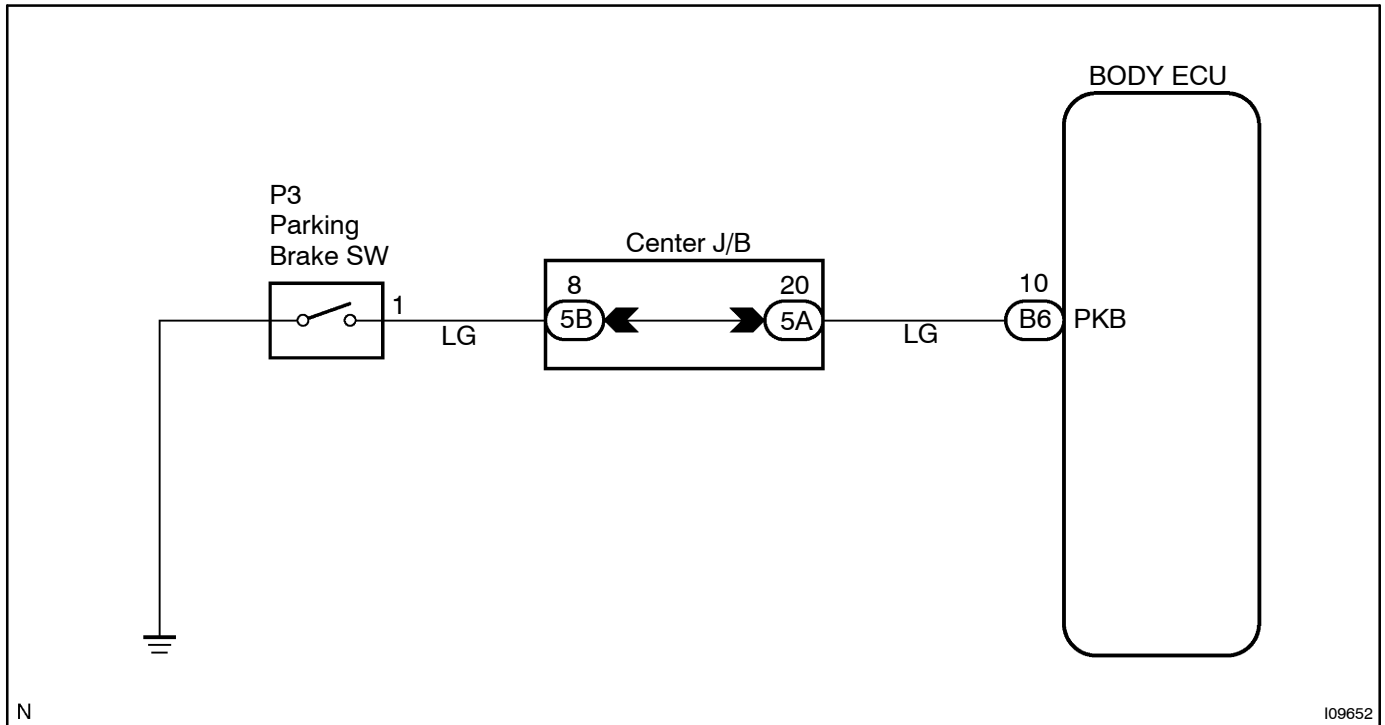


Parking brake switch circuit

WIRING DIAGRAM



INSPECTION PROCEDURE

HINT:

In case of using the hand-held tester, start the inspection from step 1 and in case of not using the hand-held tester, start from step 2.

1 Check parking brake switch using hand-held tester.

PREPARATION:

Connect the hand-held tester to the DLC3.

CHECK:

Check the parking brake switch using DATA LIST.

OK

Proceed to next circuit inspection shown on problem symptoms table (See page DI-488).

NG

2 Check parking brake switch (See page BE-61).

NG

Replace the parking brake switch.

OK

3 Check wireharness and connector between parking brake switch and Body ECU (See page IN-30).

NG

Repair or replace wireharness or connector.

OK

Proceed to next circuit inspection shown on problem symptoms table (See page DI-488).