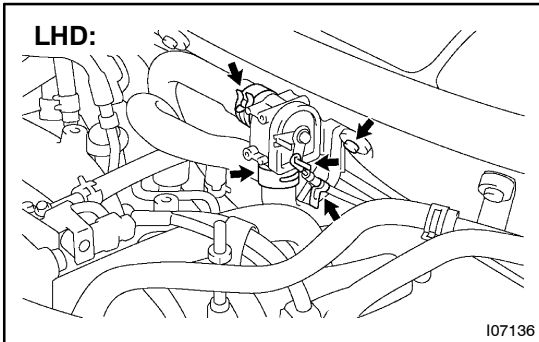


REMOVAL

1. DRAIN ENGINE COOLANT FROM RADIATOR

HINT:

It is not necessary to drain out all the coolant.



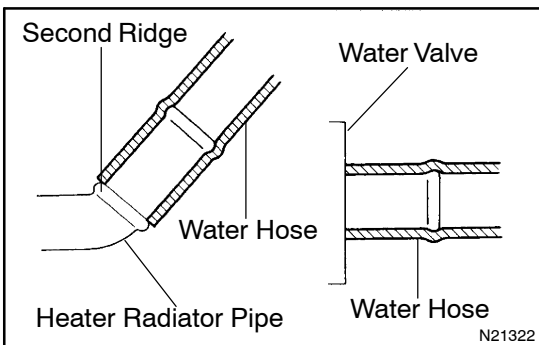
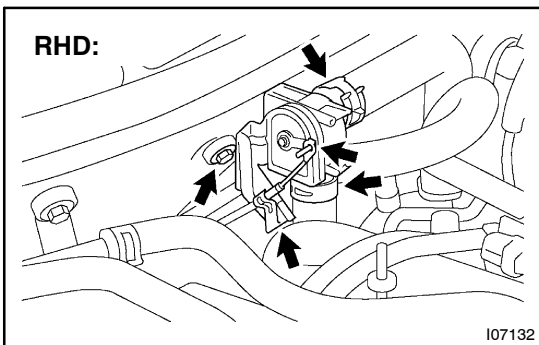
2. DISCONNECT WATER VALVE CONTROL CABLE

HINT:

At the time of installation, please refer to the following item.
After connection, check water valve operation.

3. DISCONNECT WATER HOSES FROM HEATER RADIATOR PIPE AND WATER VALVE

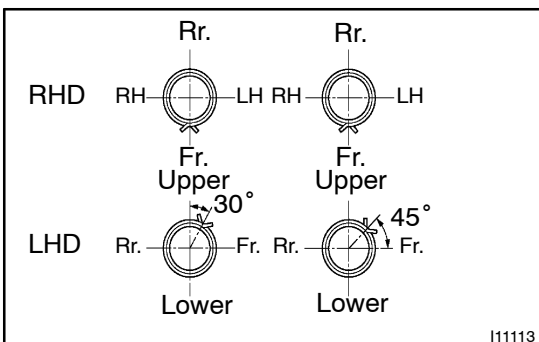
- (a) Using a pliers, grip the claw of the hose clip and slide the hose clip along the hose.
- (b) Disconnect the water hoses.



HINT:

At the time of installation, please refer to the following item.

- Push the water hose onto the heater radiator pipe as far as the second ridge on the pipe.
- Push the water hose onto the water valve as far as the water valve.



- Install the hose clip in a position, as shown in the illustration.

4. REMOVE WATER VALVE

Remove the 2 bolts and water valve.