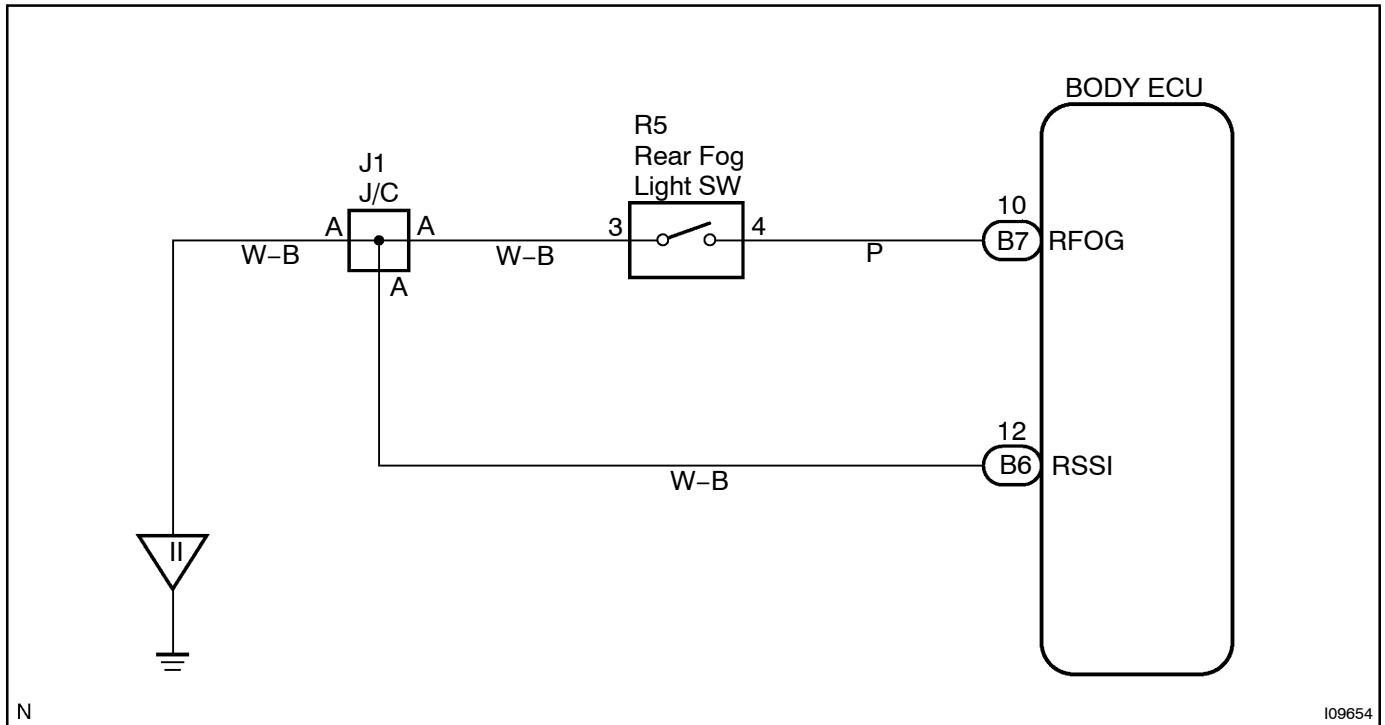


Rear fog light switch circuit

WIRING DIAGRAM



N

I09654

INSPECTION PROCEDURE

HINT:

In case of using the hand-held tester, start the inspection from step 1 and in case of not using the hand-held tester, start from step 2.

1 Check rear fog light operating using hand-held tester.

PREPARATION:

Connect the hand-held tester to the DLC3.

CHECK:

- Check that the rear fog light can operate in an ACTIVE TEST.
- Check the rear fog light switch using DATA LIST.

OK:

Switch position \ Terminal (tester display)	Rear fog light switch
OFF	OFF
ON	ON

OK

Proceed to next circuit inspection shown on problem symptoms table (See page DI-488).

NG

2 Check rear fog light switch (See page BE-32).

NG

Replace the rear fog light switch.

OK

3 Check wire harness and connector between rear fog light switch and Body ECU (See page IN-30).

NG

Repair or replace wire harness or connector.

OK

Proceed to next circuit inspection shown on problem symptoms table.
(See page DI-488)