

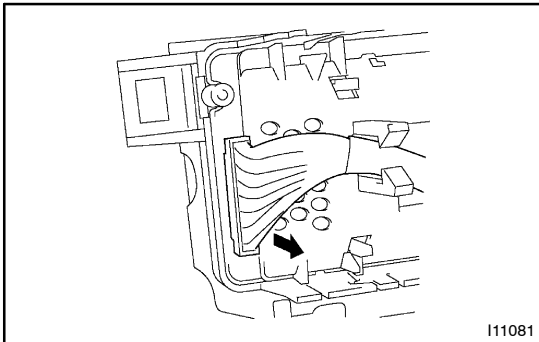
## DISASSEMBLY

### 1. REMOVE A/C CONTROL PANEL ASSEMBLY

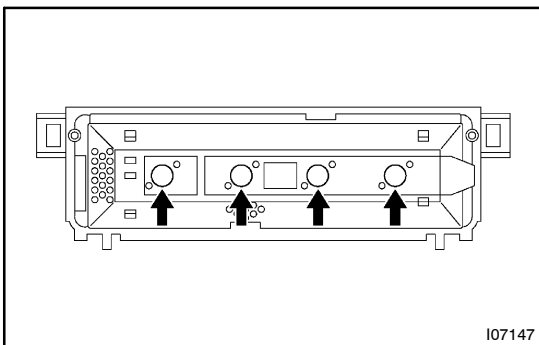
- (a) Remove the 2 screws.
- (b) Using a screwdriver, release the 4 claws and remove the A/C control panel assembly.

HINT:

Tape the screwdriver tip before use.

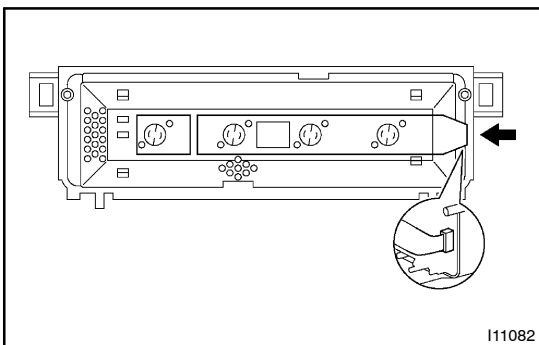


- (c) Pull out the connector.



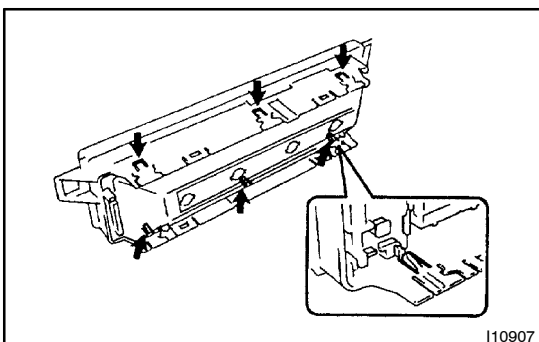
### 2. REMOVE LIGHTING VALVE

Using a screwdriver, turn the bulb to the left and pull out the bulb.



### 3. DISCONNECT FLEXIBLE FLAT CABLE

Release the connector lock and pull out the flexible flat cable.



### 4. REMOVE LCD LIGHTING BULB

- (a) Release the 6 claws, then remove the switch board.
- (b) Using a screwdriver, turn the bulb to the left and pull out the bulb.