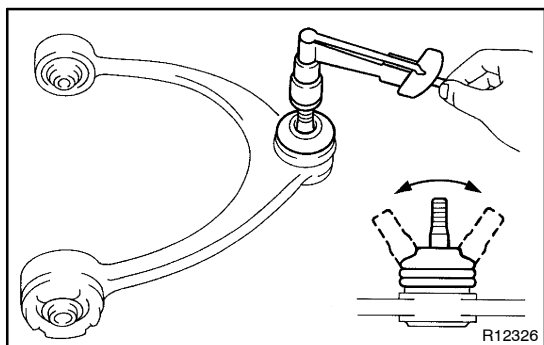


INSPECTION

1. INSPECT UPPER BALL JOINT BOOT FOR DAMAGE



2. INSPECT UPPER BALL JOINT FOR ROTATION CONDITION

- (a) As shown in the illustration, flip the ball joint stud back and forth 5 times, before installing the nut.
- (b) Using a torque wrench, turn the nut continuously 1 turn per 2 – 4 seconds and take the torque reading on the 5th turn.

Turning torque:

1.0 – 3.4 N·m (10 – 35 kgf·cm, 9 – 30 in.·lbf)