

DIFFERENTIAL MOUNTING CUSHION REPLACEMENT

SAOKA-02

1. REMOVE DIFFERENTIAL CARRIER

(See page SA-75)

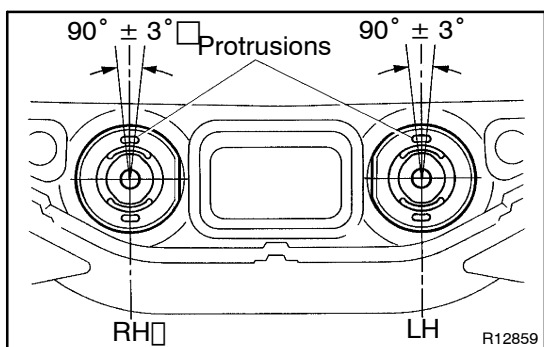
2. REMOVE DIFFERENTIAL MOUNTING CUSHION

Using SST, remove the cushion.

HINT:

- Check that the edge of SST (09527-17011) is fully in contact with the crossmember.
- Align the SST straight so that the bolt of the SST is on the center line of the cushion.

SST 09527-17011, 09570-22011, 09570-24010



3. INSTALL DIFFERENTIAL MOUNTING CUSHION

(a) Set a new differential mounting cushion to the crossmember.

HINT:

- Install the cushion with the flat face facing inside of the vehicle.
- Position the cushion so that the upper and lower protrusions align horizontally at $90^\circ \pm 3^\circ$ against the ground.

(b) Using SST, install the cushion.

SST 09316-12010, 09570-22011, 09570-24010

HINT:

Align the SST straight so that the bolt of the SST is on the center line of the cushion.

4. INSTALL DIFFERENTIAL CARRIER

(See page SA-94)

