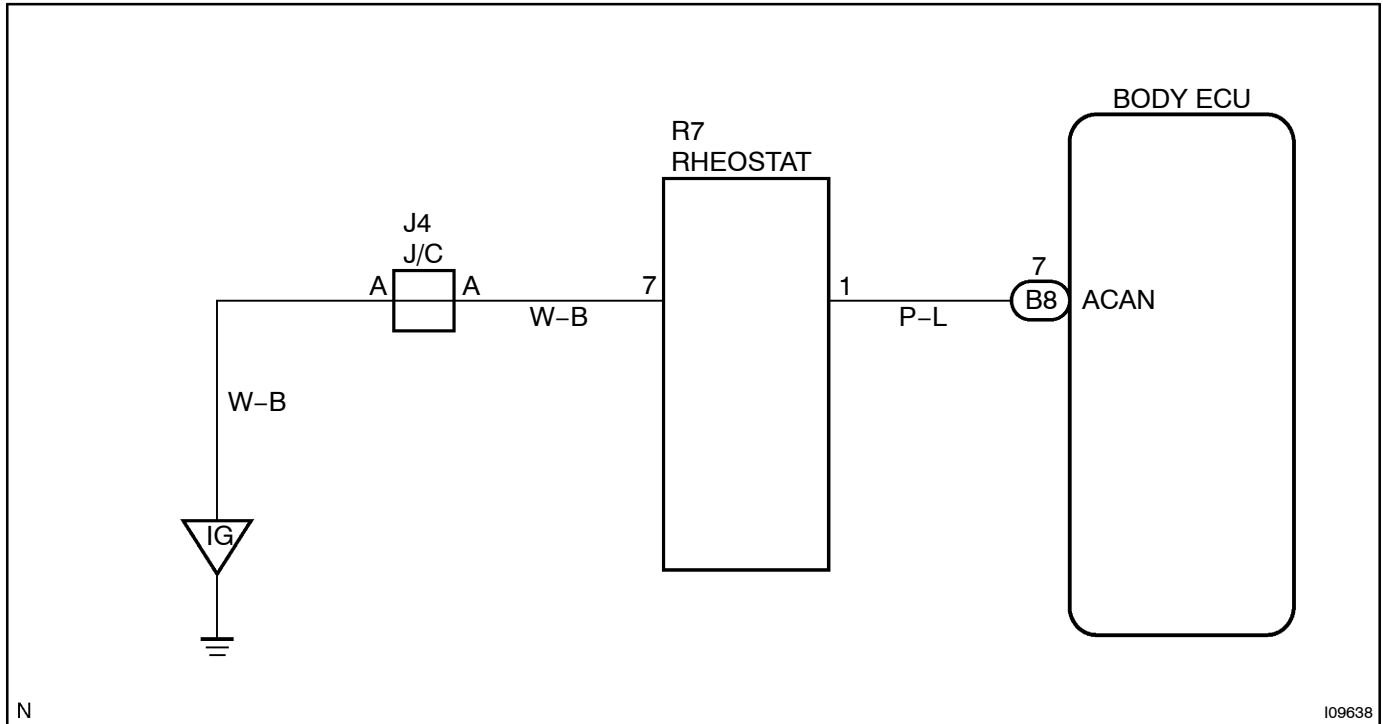


## Rheostat light control circuit

### CIRCUIT DESCRIPTION

It outputs light deteriorate instruction such as the self-illuminated display on A/C panel.

### WIRING DIAGRAM



**INSPECTION PROCEDURE**

1 Check rheostat light control volume (See page BE-61).

NG

Replace the rheostat light control volume.

OK

2 Check wireharness and connector between rheostat light control volume and Body ECU (See page N-30).

NG

Repair or replace wireharness or connector.

OK

Proceed to next circuit inspection shown on problem symptoms table (See page DI-488).