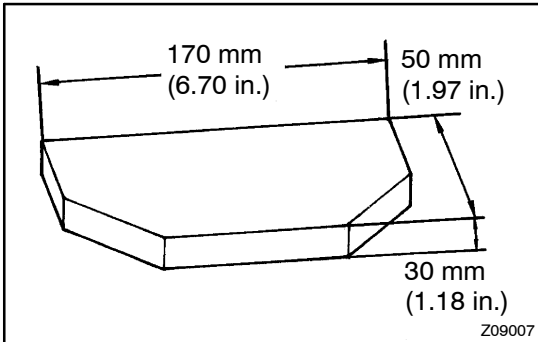


DISASSEMBLY

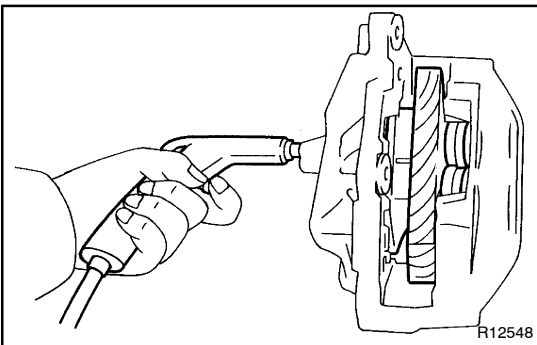
1. REMOVE CYLINDER BOOTS

Using a screwdriver, remove the cylinder boots from the cylinder.



2. REMOVE PISTONS

(a) Prepare a wooden plate to hold the pistons.

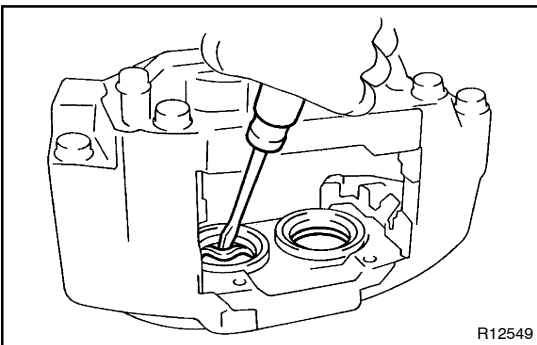


(b) Place the plate between the pistons and insert a pad on one side.

(c) Use compressed air to remove the pistons alternately from the cylinder.

CAUTION:

Do not place your fingers in front of the pistons when using compressed air.



3. REMOVE PISTON SEALS

Using a screwdriver, remove the 4 piston seals from the cylinder.